



SPI SERIES SPEED SENSOR

The SPI Series of Speed Sensors have been designed as simple compact sensors suited to the demanding motorsport and automotive testing industries.

The main construction is aluminium which provides for a robust sensor, even in exposed areas such as the engine bay or wheel hub. The sensor will continuously operate at temperatures up to 150°C.

By using a proven 'Hall Effect' technology, the SPI detects a change in magnetic field as the target passes the sensors tip. The output transistor switches its state as the target passes, so giving a measurable pulse train which can be used within standard data logging equipment or ECU's.

TECHNICAL SPECIFICATIONS

Measurement Frequency	8KHz
Sensor Type	Hall Effect
Mounting	Flange with Single Screw Fixing
Target Size (Width x Length)	18mm Wide x 1mm Long (Minimum)
Sensing Range (Air Gap)	1 to 3mm
Output	NPN. Internal Pullup Resistor Value 1KΩ
Max Load Current	25mA Max
Supply	5-24Vdc (10mA)
Operating Temperature Range	-40°C to +150°C
Construction	Anodised Aluminium
Electrical Connection	100cm, 26 AWG, 55 Spec Wire + DR25 Sleeve
Cable Exit	Straight or Right Angle
Mechanical Dimensions	Probe Diameter: 17.9mm & 31.8mm Long
Protection Class	IP67
Weight (Excluding Cable)	25g

KA Sensors adopts a continuous development program which sometimes necessitates specification changes without notice.

Sensors For Motorsport

Features

- Miniature Size
- Flange Mounting
- NPN Output
- 5-24V Supply
- Rugged Design

Applications

- Speed
- Crank Speed / Position
- Wheel Speed
- Drive Shaft Speed
- Traction Control
- Launch Control

Contact us

kasensors.com
sales@kasensors.com

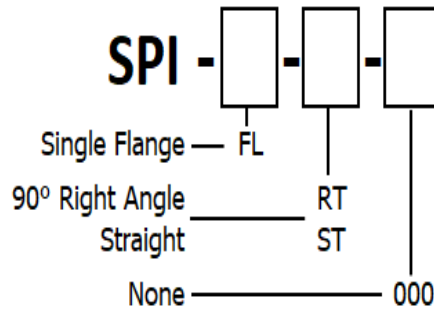
SPI 10.22

PART NUMBER CONFIGURATOR

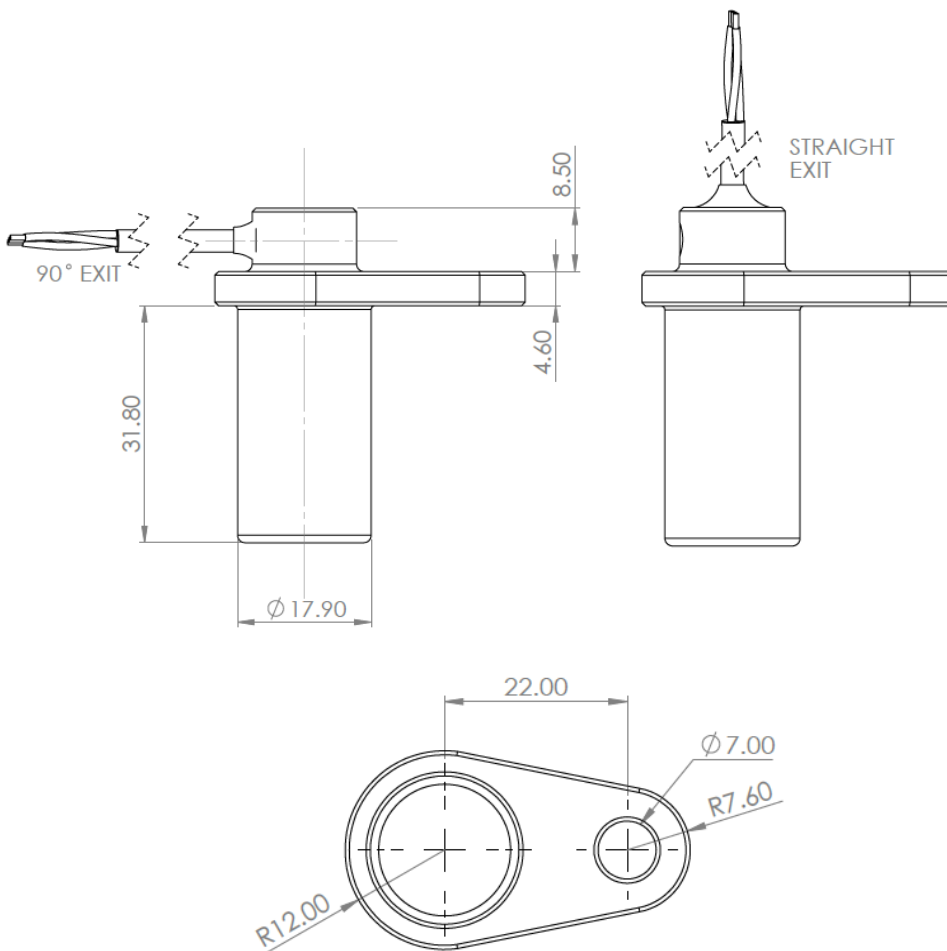
Flange

Cable Exit

Special Code



MECHANICAL DETAILS



CONNECTION DETAILS

+Ve Supply	0V Supply	Signal
Red	Black	White

Sense
Analyse
Control

Services for:

- Data Logging
- Telemetry
- Controls
- Wiring

Contact us

KA Sensors Ltd
Unit 13, Priest Court
Springfield Business Park
Grantham
United Kingdom
NG31 7ZF

Contact us

kasensors.com
sales@kasensors.com

SPI 10.22