



SPC SERIES FLANGED SPEED SENSOR

The SPC Series of Flanged Speed Sensors have been designed as simple compact sensors suited to the demanding motorsport and automotive testing industries.

The main construction is aluminium which provides for a robust sensor, even in exposed areas such as the engine bay or wheel hub. The sensor will continuously operate at temperatures up to 150°C.

By using a proven 'Hall Effect' technology, the SPC detects a change in magnetic field as the target passes the sensors tip. The output transistor switches its state as the target passes, so giving a measurable pulse train which can be used within standard data logging equipment or ECU's.

TECHNICAL SPECIFICATIONS

Measurement Frequency	8KHz
Sensor Type	Hall Effect
Mounting	Single Flange: Flange with Single Screw Fitting Dual Flange: Flange with Double Screw Fitting
Target Size (Width x Length)	8mm Wide x 1mm Long
Sensing Range (Air Gap)	1 to 3mm
Output	NPN. Internal Pullup Resistor Value 1KΩ
Max Load Current	25mA Max
Supply	5-24Vdc (10mA)
Operating Temperature Range	-40°C to +150°C
Construction	Anodised Aluminium
Electrical Connection	100cm, 26 AWG, 55 Spec Wire + DR25 Sleeve
Cable Exit	Straight or 90° Right Angle
Mechanical Dimensions	See Part Number Configurator & Drawings
Protection Class	IP67
Vibration Protection	5KHz Sine at 100g
Weight (Excluding Cable)	Single Flange: 8g Dual Flange: 10g

KA Sensors adopts a continuous development program which sometimes necessitates specification changes without notice.

Sensors For Motorsport

Features

- Miniature Size
- Flange Mounting
- NPN Output
- 5-24V Supply
- Rugged Design

Applications

- Speed
- Crank Speed / Position
- Wheel Speed
- Drive Shaft Speed
- Traction Control
- Launch Control

Contact us

kasensors.com
 sales@kasensors.com

SPC 10.22

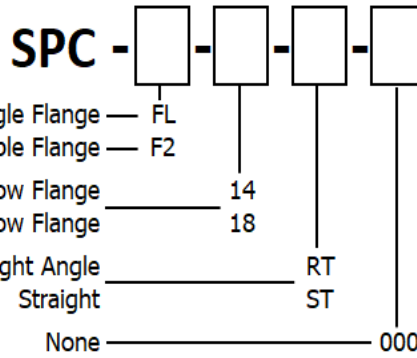
PART NUMBER CONFIGURATOR

Flange

Sensor Length

Cable Exit

Special Code



*Sense
 Analyse
 Control*

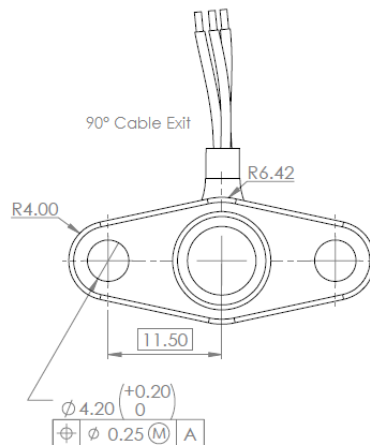
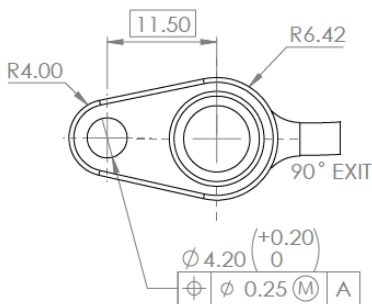
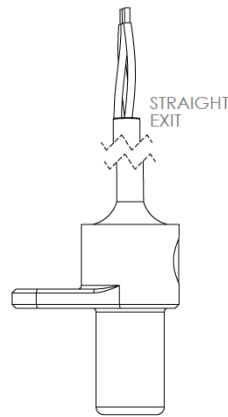
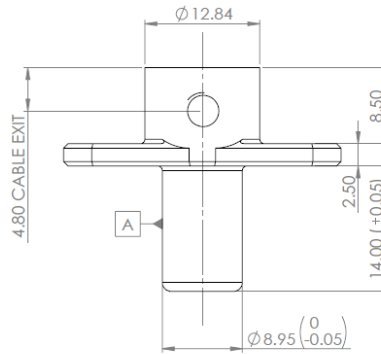
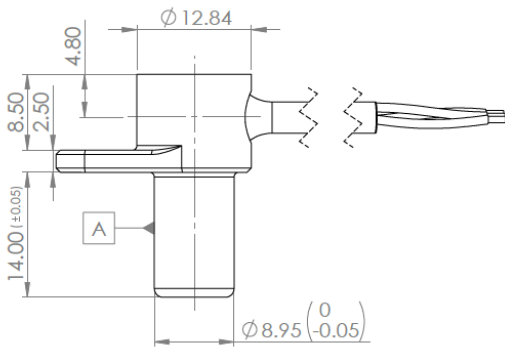
Services for:

- Data Logging
- Telemetry
- Controls
- Wiring

MECHANICAL DETAILS

Single Flange

Dual Flange



Contact us

KA Sensors Ltd
 Unit 13, Priest Court
 Springfield Business Park
 Grantham
 United Kingdom
 NG31 7FZ

Contact us

kasensors.com
 sales@kasensors.com

CONNECTION DETAILS

+Ve Supply	0V Supply	Signal
Red	Black	White

SPC 10.22