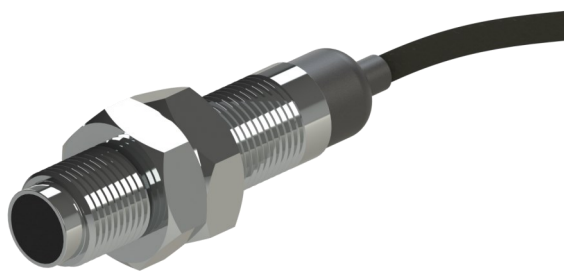


SP SERIES WHEEL SPEED SENSOR



The SP Series of Wheel Speed Sensors have been designed as simple compact sensors suited to the demanding motorsport and automotive testing industries.

The main construction is stainless steel with a maximum operating temperature of 150°C, which provides for a robust sensor even in exposed areas such as the engine bay or wheel hub.

By using a proven 'Hall Effect' sensing technology, the SP detects a change in magnetic field as the target passes the sensors tip. The output transistor switches its state as the target passes, so giving a measurable pulse train which can be used within standard data logging equipment or ECU's.

TECHNICAL SPECIFICATIONS

Measurement Frequency	8KHz
Sensor Type	Hall Effect
Mounting	M12 x 1.25 or 7/16-20UNF-2A Thread, 2x Lock Nuts
Sensing Range (Air Gap)	1 to 3mm
Target Size (Width x Length)	8mm Wide x 1mm Long (Minimum)
Output	NPN. Internal Pullup Resistor Value 1KΩ
Max Load Current	25mA Max
Supply	5-24Vdc (10mA)
Operating Temperature Range	-40°C to +150°C
Construction	303 Grade Stainless Steel
Electrical Connection	100cm, 26 AWG 55 Spec wire + DR25 Sleeve
Thread Dimensions	Please See Mechanical Drawings
Protection Class	IP67
EMC Protection	EN 560947-5-2
Weight (Excluding Cable)	25g

KA Sensors adopts a continuous development program which sometimes necessitates specification changes without notice.

Sensors For Motorsport

Features

- Miniature Size
- M12 or 7/16 Mounting
- NPN Output
- 5-24V Supply
- High Temperature

Applications

- Drive Shaft Speed
- Traction Control
- Launch Control
- Wheel Speed

Contact us

kasensors.com
 sales@kasensors.com

SP12 10.22

PART NUMBER CONFIGURATOR

Thread Size

7/16-20 UNF-2A Male
M12 x 1.25 Male

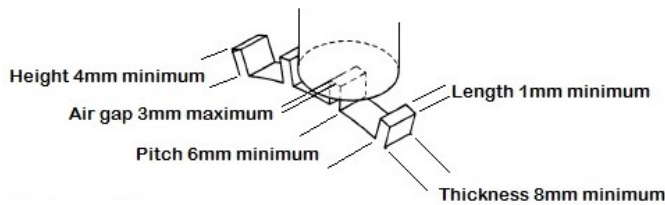
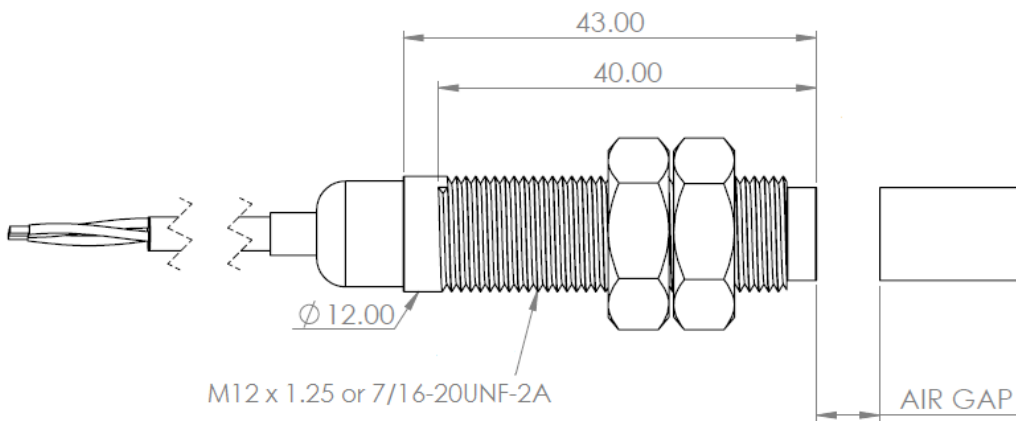
SP -

71
12

Special Code

None — 000

MECHANICAL DETAILS



CONNECTION DETAILS

+Ve Supply	0V Supply	Signal
Red	Black	White

*Sense
Analyse
Control*

Services for:

- Data Logging
- Telemetry
- Controls
- Wiring

Contact us

KA Sensors Ltd
Unit 13, Priest Court
Springfield Business Park
Grantham
United Kingdom
NG31 7FZ

Contact us

kasensors.com
sales@kasensors.com

SP12 10.22