

RWT-MX SERIES MOTOCROSS REAR WHEEL TORQUE TRANSDUCER



Building on our success with the RWT Road Racing Sensor we have developed a version for motocross motorcycles. The RWT-MX is designed to be a self-contained sensor unit, the rear wheel torque transducer is a direct replacement for the rear wheel sprocket carrier. The innovative design allows torque to be measured at the rear wheel, enabling race teams to increase their knowledge, and develop their motorcycles in a way that was not possible before.

FEATURES

- Torque transducer is incorporated into a custom sprocket carrier creating a self-contained sensor unit.
- Robust, lightweight aluminium housing fits into standard motocross size sprockets.
- All electric components are hermetically sealed.
- Inductive power system — uses no batteries.
- Wireless output signal to chassis mounted receiver unit.
- Fast data rates up to 750Hz.
- Design of torque transducer and receiver unit can be adapted to suit customers requirements.

BENEFITS

- Rear wheel torque and power measurement in real time.
- Use for engine development — assess where power is used thus allowing engine development strategies to be focused on Bike Dyno.
- Use for gear ratio selection — assess if ratios are providing optimum power at rear wheel.
- Use for rider knowledge—assess how rider applies power.
- Interchangeable between wheels.
- Adaptable design and easy to fit.

KA Sensors adopts a continuous development program which sometimes necessitates specification changes without notice.

Sensors For Motorsport

Features

- Self Contained
- Compact Design
- Lightweight
- Wireless Data Signal
- No Batteries
- $\pm 500\text{Nm}$ Range

Applications

- MotoCross Bike
- Chassis Setup
- Engine Testing

kasensors.com

sales@kasensors.com

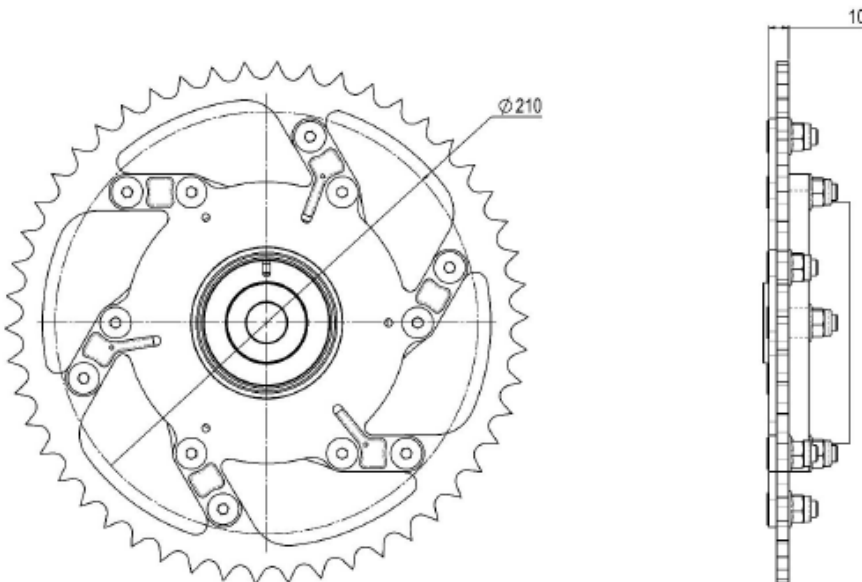
+44(0)1476 568057

RWT-MX 10.18

TECHNICAL SPECIFICATIONS

Housing Material	Aluminium
Sprocket Material	Aluminium, Replaceable (KA Supplied)
Sprocket Size	Standard MX Sizes Available: 48 to 53 Teeth
Receiver	Hub Mounted Coil Connected to a Remote Electronics Box
Water Resistance	Hermetically Sealed Electronics
Torque Range	+/- 500Nm (Higher Torque on Request)
Supply Voltage	8-16V 200mA
Output Voltage	0.5 to 4.5V
Accuracy	+/- 2% Typical
Output Frequency	750Hz
Operating Hours	Infinite
Operating Temperature	0 to +70°C
Electrical Connection	Deutsch ASX Autosport Connector
Data Logger Compatibility	All Common Including: 2D, Motec, Aim, Magneti Marelli

MECHANICAL DETAILS



(All dimensions in mm)

Sense
Analyse
Control

Services for:

- Data Logging
- Telemetry
- Controls
- Wiring

Contact us

KA Sensors Ltd
Unit 14 & 15
The Old Malthouse
Springfield Road
Grantham
Lincolnshire
United Kingdom
NG31 7BG

kasensors.com
sales@kasensors.com
+44(0)1476 568057

RWT-MX 10.18