



RHL4 LASER RIDE HEIGHT SENSOR

The RHL Series of Laser Ride Height Sensors are designed to withstand the harsh environments of industrial and motorsport applications. Our Miniature Sensor incorporates a small diameter visible laser that is reflected off the track surface to a precision CCD detector which determines the height from the ground.

Supplied with standard measurement ranges of 200mm or 500mm, the RHL4 is ideal for use on all types of vehicle. With a measurement rate of up to 4KHz along with several filter option and linearity of 0.1% ensures a fast and accurate recording of real-time car data in extreme conditions. On-board compensation ensures that different track colours and surfaces are correctly measured without error.

The RHL4's construction of anodized aluminium provides protection against high vibration and temperature. To allow use in compact installations the electrical connection is a low profile cable exit.

TECHNICAL SPECIFICATIONS

Ranges	200mm (60-260) or 500mm (100-600)
Resolution	0.02mm
Linearity	±0.1% of Full Scale
Measurement Rate	250, 500, 1000, 2000, 4000Hz (Factory Set)
Averaging Filter	9 Position and Moving 32 Step (Others Available)
Thermal Effects	0.03% FS/°C
Output	1 to 5V
Ambient Light	<10,000Lx
Supply	11-30V (50mA)
Operating Temperature Range	0°C to +70°C
Storage Temperature Range	-20°C to +70°C
Construction	Black Aluminium Casing
Electrical Connection	26AWG, 55 Spec Wire + DR25 Sleeve
Protection Class	IP67. Dust tight & water immersion to 1m for 30mins
Laser Type	1mW, 670nm, Class 2 (DIN EN 60825-1 2008)
Vibration and Shock	20G 10Hz-1kHz & 15G 6ms (IEC 68-2-29)
Weight	50g (Excluding Cable)

KA Sensors adopts a continuous development program which sometimes necessitates specification changes without notice.

Sensors For Motorsport

Features

- Miniature Size
- 200 & 500mm Range
- Cable Exit
- 4KHz Measurement Rate
- ±0.1% Linearity

Applications

- Ride Height
- Suspension Setup
- Chassis Distortion
- Bodywork Deflection

kasensors.com

sales@kasensors.com

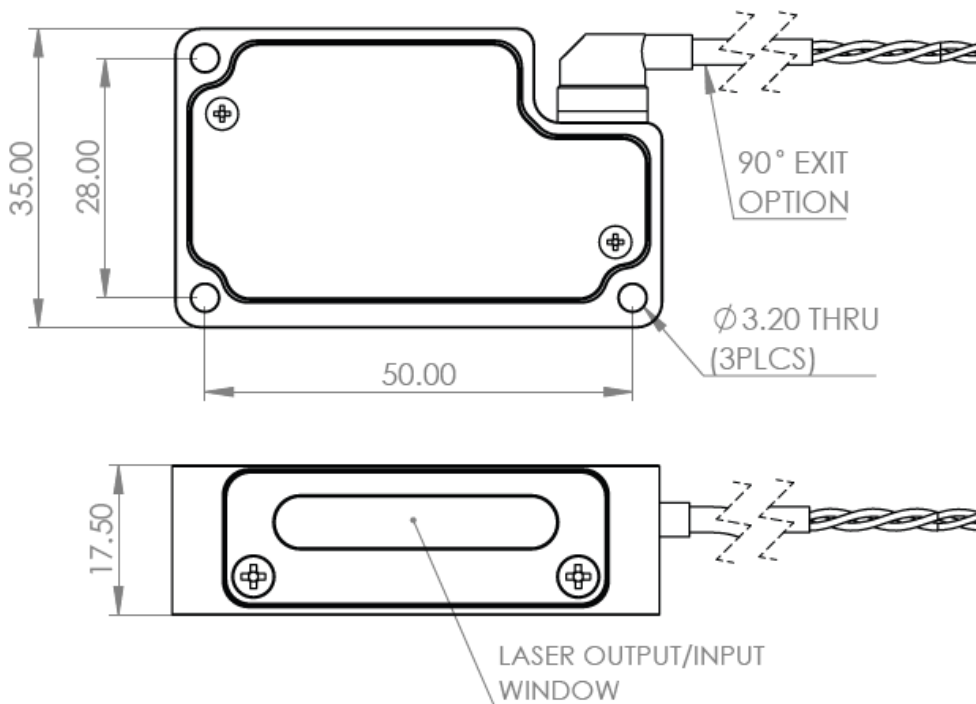
RHL4 12.22

PART NUMBER CONFIGURATOR

	R	H	L	4	-					
Range (mm)	200	200								
	500	500								
Electrical Connection	Special Request Only: Connector (N Keyway)		ASX							
	Standard: Cable 26AWG, 55 Spec Wire + DR25 Sleeve		CAB							
Measurement Rate (Hz)	250			02						
	500			05						
	1000			10						
	2000			20						
	4000			40						
Averaging Filter Option (Others Available Upon Request)	No Filter						0			
	9 Position Median Average						9			
	Moving Average, 32 Step						M3			
Cable Length (If Applicable)	Not Applicable (Connector)						000			
	Standard: 100cm						100			
Special Code	None						000			

The KA configuration tool is used to specify a KA Sensor

MECHANICAL DETAILS



CONNECTION DETAILS

+Ve Supply	0V Supply	Signal
Red	Black	White

*Sense
Analyse
Control*

Services for:

- Data Logging
- Telemetry
- Controls
- Wiring

Contact us

KA Sensors Ltd
Unit 13, Priest Court
Springfield Business Park
Grantham
United Kingdom
NG31 7FZ

kasensors.com
sales@kasensors.com

RHL4 12.22