



NTC SERIES NTC2 AIR AND GAS TEMPERATURE SENSOR

The NTC2 Series of High Performance Temperature Sensors are designed to measure the temperatures of all types of air and gas in demanding motorsport and automotive testing applications.

The sensing element can either be a PT1000 or a NTC 3KΩ Thermistor, calibration of each is well defined and can be installed into most common ECUs and data logging systems.

Construction choice is either anodised aluminium, brass or stainless steel — all with a heat insulating PEEK ISOTIP™ which isolates the sensing element from surrounding heat soak. With standard motorsports cable and sleeve this will protect from the harsh environments around the vehicle.

Sensors For Motorsport

Features

- Fast Response
- With PEEK ISOTIP
- -30°C to +150°C
- 3KΩ NTC or PT1000
- Rugged Construction
- IP67

TECHNICAL SPECIFICATIONS

Ranges (FS)	-30°C to +150°C
Accuracy	±1°C
Response Time	<5 Seconds
Seal	Viton O-Ring
Sensor Type	NTC 3KΩ or PT1000
Construction	Brass, Aluminium or Stainless Steel with PEEK ISOTIP
Electrical Connection	30cm, 26AWG 55Spec + DR25 Sleeve
Mechanical Connection	M6x1, M8x1 or M10x1
Protection Class	IP67
Vibration	Mil-Std-810C, Curve L, 20G
Weight (Excluding Cable)	5g to 10g (Depending on Material)

	NTC3KΩ	PT1000
Temp °C	Output Ω	Output Ω
-30	53100.00	882.20
-20	29121.00	921.60
-10	16599.00	960.90
0	9795.00	1000.00
10	5970.00	1039.00
20	3747.00	1077.90
25	3000.00	1097.30
30	2417.10	1116.70
40	1598.10	1155.40
50	1080.90	1194.00
60	746.40	1232.40
70	525.60	1270.80
80	376.50	1309.00
90	274.59	1347.10
100	203.46	1385.10
110	153.09	1422.90
120	116.79	1460.70
130	90.28	1498.30
140	70.58	1535.80
150	55.79	1573.30

Applications

- Air Intake
- Cabin Temperature

kasensors.com
sales@kasensors.com
+44(0)1476 568057

NTC2 06.21

KA Sensors adopts a continuous development program which Sometimes necessitates specification changes without notice.

PART NUMBER CONFIGURATOR

Mounting Thread

M6 x 1 Male
M8 x 1 Male (ISO6149-2)
M10 x 1 Male (ISO6149-2)

Construction

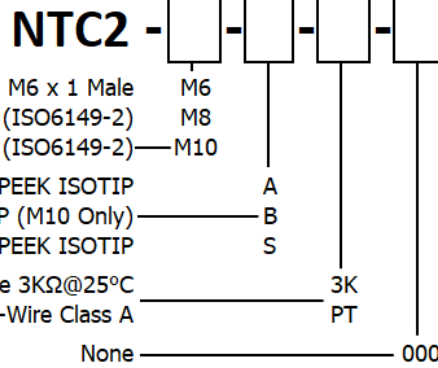
Aluminium and PEEK ISOTIP
Brass and PEEK ISOTIP (M10 Only)
Stainless Steel and PEEK ISOTIP

Sensor Type

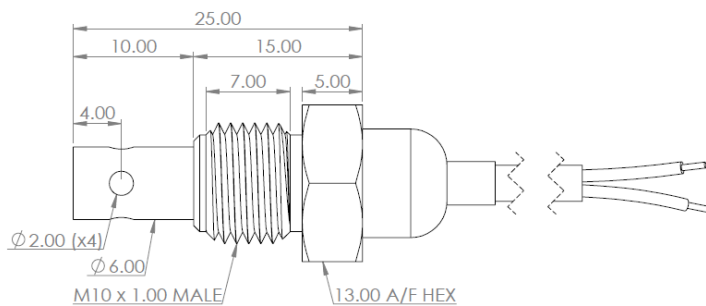
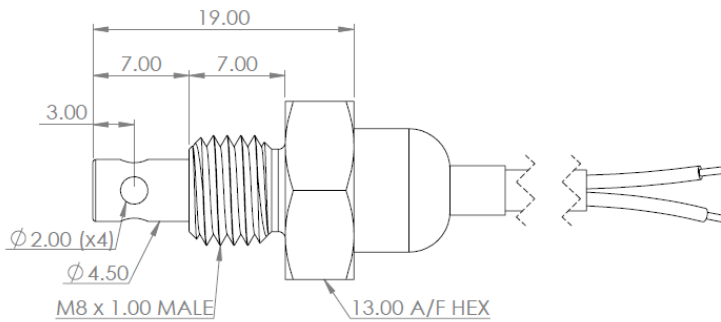
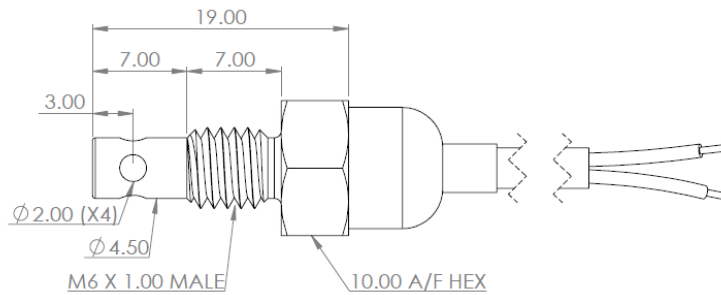
NTC, 2-Wire 3K Ω @25 $^{\circ}$ C
PT1000, 2-Wire Class A

Special Code

None



MECHANICAL DETAILS



CONNECTION DETAILS

Output	Output
Red	White

*Sense
Analyse
Control*

Services for:

- Data Logging
- Telemetry
- Controls
- Wiring

Contact us

KA Sensors Ltd
Unit 14 & 15
The Old Malthouse
Springfield Road
Grantham
Lincolnshire
United Kingdom
NG31 7BG

kasensors.com
sales@kasensors.com
+44(0)1476 568057

NTC2 06.21