

NPT SERIES NPT2 AIR AND GAS TEMPERATURE SENSOR



The NPT2 Series of High Performance Temperature Sensors are designed to measure the temperatures of all types of air and gas in demanding motorsport and automotive applications.

The sensing element can be either a PT1000 or a NTC Thermistor; calibration of each is well defined and can be installed into most common ECUs and data logging systems.

Construction is either brass or stainless steel, both with a heat insulating PEEK ISOTIP™ which insulates the sensing element from surrounding heat soak. Supplied with standard motorsports cable and sleeve this will protect from the harsh environments around the vehicle.

The NPT2 Series are race proven in many formulae around the world and offer a reliable and robust solution for professional engineers.

Sensors For Motorsport

Features

- 1/8 NPT Thread
- PEEK ISOTIP
- Miniature Size
- -30°C to +150°C
- PT1000 or NTC
- Rugged Construction

TECHNICAL SPECIFICATIONS

Ranges (FS)	-30°C to +150°C
Accuracy	<±1°C
Response Time	<5 Seconds
Seal	Viton O-Ring
Sensor Type	NTC 3KΩ or PT1000
Construction	Brass or Stainless Steel
Electrical Connection	100cm, 26AWG 55Spec + DR25 Sleeve
Mechanical Connection	1/8 Inch NPT Male (ANSI B1.20.1)
Protection Class	IP67
Weight (Excluding Cable)	Brass: 20g Stainless Steel: 20g

	NTC3KΩ	PT1000
Temp °C	Output Ω	Output Ω
-30	53100.00	882.20
-20	29121.00	921.60
-10	16599.00	960.90
0	9795.00	1000.00
10	5970.00	1039.00
20	3747.00	1077.90
25	3000.00	1097.30
30	2417.10	1116.70
40	1598.10	1155.40
50	1080.90	1194.00
60	746.40	1232.40
70	525.60	1270.80
80	376.50	1309.00
90	274.59	1347.10
100	203.46	1385.10
110	153.09	1422.90
120	116.79	1460.70
130	90.28	1498.30
140	70.58	1535.80
150	55.79	1573.30

Applications

- Air Intake
- Cabin Temperature

kasensors.com
sales@kasensors.com

NPT2 10.22

KA Sensors adopts a continuous development program which Sometimes necessitates specification changes without notice.

PART NUMBER CONFIGURATOR

NPT **2** - - -

Construction

Brass with PEEK ISOTIP
Stainless Steel with PEEK ISOTIP

Sensor Type

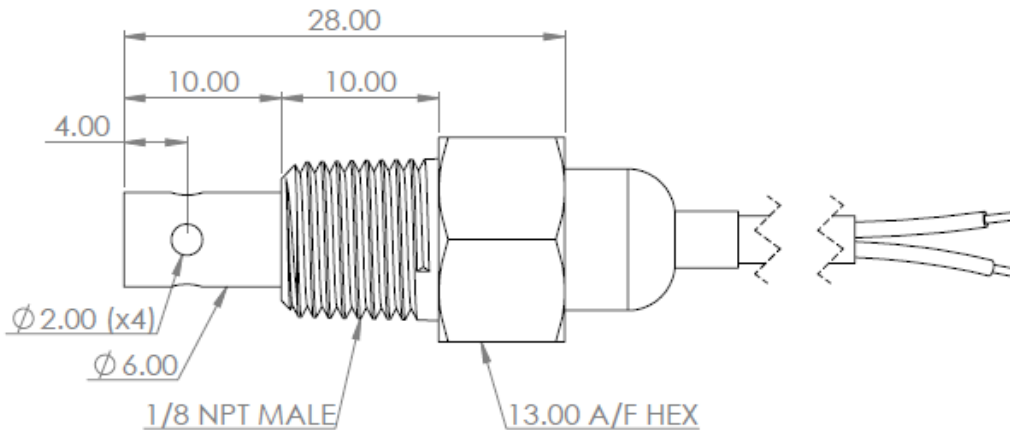
NTC, 2-Wire 3KΩ@25°C
PT1000, 2-Wire Class A

Special Code

None _____ 000

*Sense
Analyse
Control*

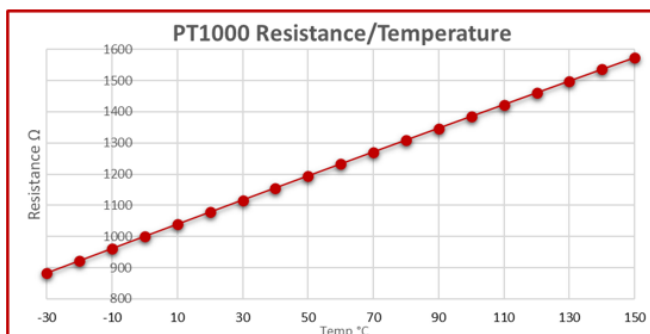
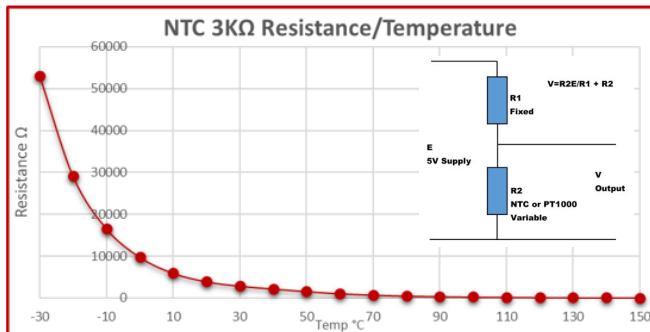
MECHANICAL DETAILS



Services for:

- Data Logging
- Telemetry
- Controls
- Wiring

NTC 3KΩ / PT1000 TEMPERATURE GRAPHS



Contact us

KA Sensors Ltd
Unit 13, Priest Court
Springfield Business Park
Grantham
United Kingdom
NG31 7FZ

kasensors.com
sales@kasensors.com

CONNECTION DETAILS

Output	Output
Red	White

NPT2 10.22