

## KR22 SERIES ROTARY POTENTIOMETER



The KR22 Series of Rotary Potentiometers are designed to withstand the harsh environments within motorsport and automotive testing applications.

By using a proven conductive plastic track technology and multi-fingered contacts, the KR22 offers high performance and reliability at temperatures up to +175°C. Alternatively, it is capable of operational excellence in cold environments down to -40°C.

With a small and lightweight 22.5mm diameter body, the KR22 Sensor is ideal for many applications within both motorsport and automotive testing and development programs.

This IP67 rated sensor is available in either Single (3 wire) or Dual (6 wire) outputs, the modular design allows for various Mounting arrangements with different Shaft/Drive types.

### TECHNICAL SPECIFICATIONS

<b>Electrical Angles (Degrees)</b>	45°, 125°, Dual 125°, 350°
<b>Nominal Resistance</b>	5KΩ (±20%)
<b>Resolution</b>	Essentially Infinite
<b>Repeatability</b>	<=0.01%
<b>Operational Speed</b>	150 RPM
<b>Mechanical Life</b>	> 25 Million Cycles
<b>Independent Linearity</b>	<= ± 0.5%
<b>Supply</b>	5V Typical (40Vdc Maximum)
<b>Operating Temperature Range</b>	-40°C to +175°C
<b>Housing Material</b>	Aluminium
<b>Shaft Material</b>	Stainless Steel
<b>Track Technology</b>	Conductive Track
<b>Electrical Connection</b>	50cm 26AWG, 55 Spec, FDR 25 Sleeve
<b>Protection Class</b>	IP67
<b>Weight</b>	15g (Without Cable)

KA Sensors adopts a continuous development program which sometimes necessitates specification changes without notice.

## Sensors For Motorsport

### Features

- Compact Design
- Excellent Linearity
- High Temperature
- Lightweight
- IP67 Standard Sealing
- Rugged Construction

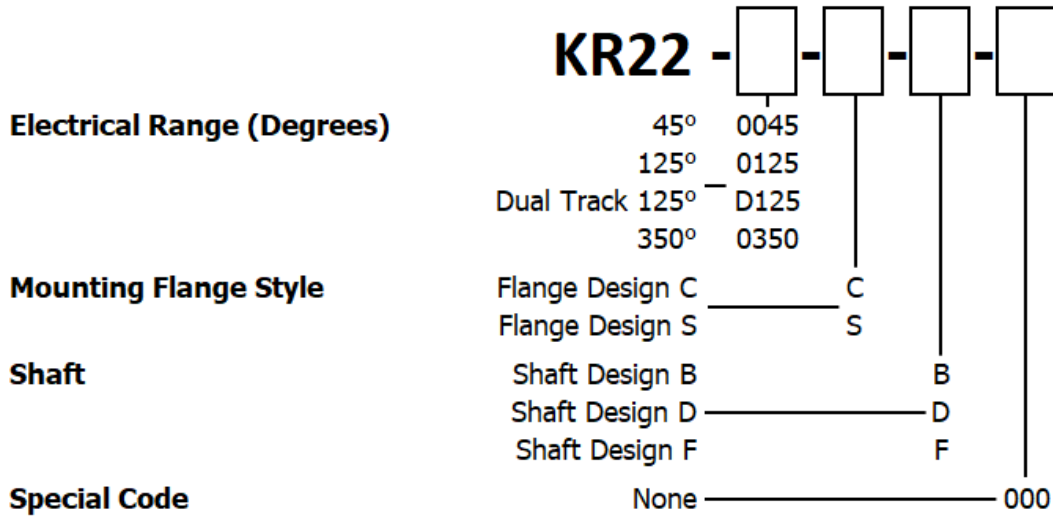
### Applications

- Throttle Position
- Steering Angle
- Pedal Position
- Gear Position
- Aero Surfaces
- Actuators

kasensors.com  
sales@kasensors.com

KR22 10.22

# PART NUMBER CONFIGURATOR

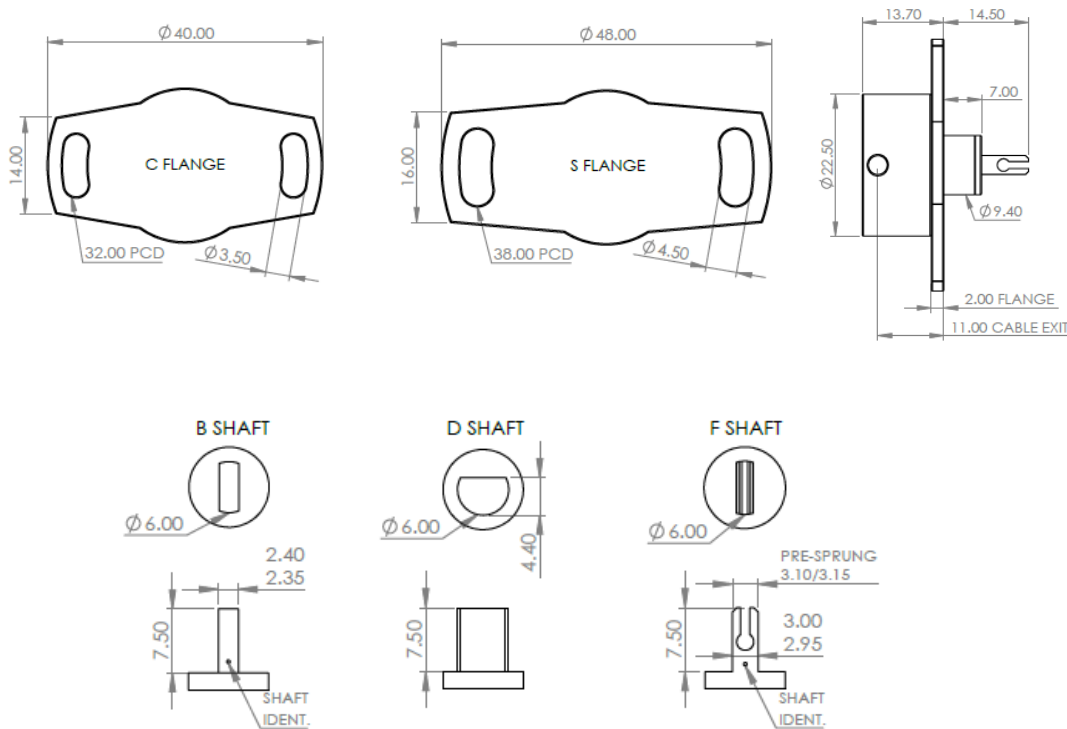


*Sense  
Analyse  
Control*

**Services for:**

- Data Logging
- Telemetry
- Controls
- Wiring

## MECHANICAL DETAILS



## Contact us

KA Sensors Ltd  
Unit 13, Priest Court  
Springfield Business Park  
Grantham  
United Kingdom  
NG31 7FZ

## CONNECTION DETAILS

	<b>+Ve Supply</b>	<b>0V Supply</b>	<b>Signal</b>
Single Output	Red	Black	Yellow
Dual Output	Brown	Blue	White

kasensors.com  
sales@kasensors.com

KR22 10.22