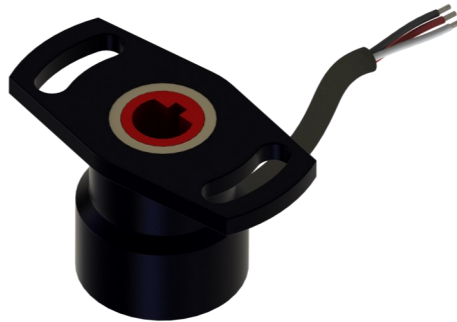


KH SERIES KH31 & 32 FEMALE ROTARY POSITION SENSOR



The KH31/32 Series of Female 2-Channel Rotary Position Sensors are designed to withstand the harsh environments of motorsport and automotive testing applications.

By using a proven 'Hall Effect' technology, the KH31/32 offers high performance and reliability at temperatures up to +150°C. Alternatively, it is capable of operational excellence in cold environments down to -40°C.

With a small and lightweight 22.5mm diameter body and standard size Flange Mounting, the KH31/32 Sensor is designed for use on throttle bodies with an 8mm D Type Shaft; other installations include: gearbox and pedal position.

The sensor is available in either Single (3 wire) or Dual (6 wire) outputs.

TECHNICAL SPECIFICATIONS

Electrical Angles (Degrees)	20° to 360° in 1° Increments. Standard Angles: 30°, 60°, 120°, 240°, 360°
Supply	5V or 6-30V (Max 32mA) Reverse Polarity Protected
Output	Please See Part Number Configurator For Options
Output Centre Position (Voltage)	2.5V When Shaft Flat Is In Line With The Cable Exit
Resolution	12 Bit
Accuracy, Linearity	±0.1%
Accuracy, Hysteresis	<0.1°
Update Rate	5KHz
Mechanical Life	> 25 Million Cycles at Max 150RPM
Operating Temperature Range	-40°C to +150°C
Housing Material	Aluminium, PEEK
Shaft Material	Aluminium
Track Technology	Hall Effect
Electrical Connection	50cm 26AWG, 3/6 Wire, 55spec, FDR 25 Sleeve
Protection Class	IP65 or IP67
Weight	20g
Options	Cable Length, Electrical Angle and Labelling

KA Sensors adopts a continuous development program which sometimes necessitates specification changes without notice.

Sensors For Motorsport

Features

- Compact Design
- Excellent Linearity
- High Temperature
- Lightweight
- IP65 or IP67 Sealing
- Rugged Construction

Applications

- Throttle Position
- Steering Angle
- Pedal Position
- Gear Position
- Aero Surfaces
- Actuators

kasensors.com

sales@kasensors.com

+44(0)1476 568057

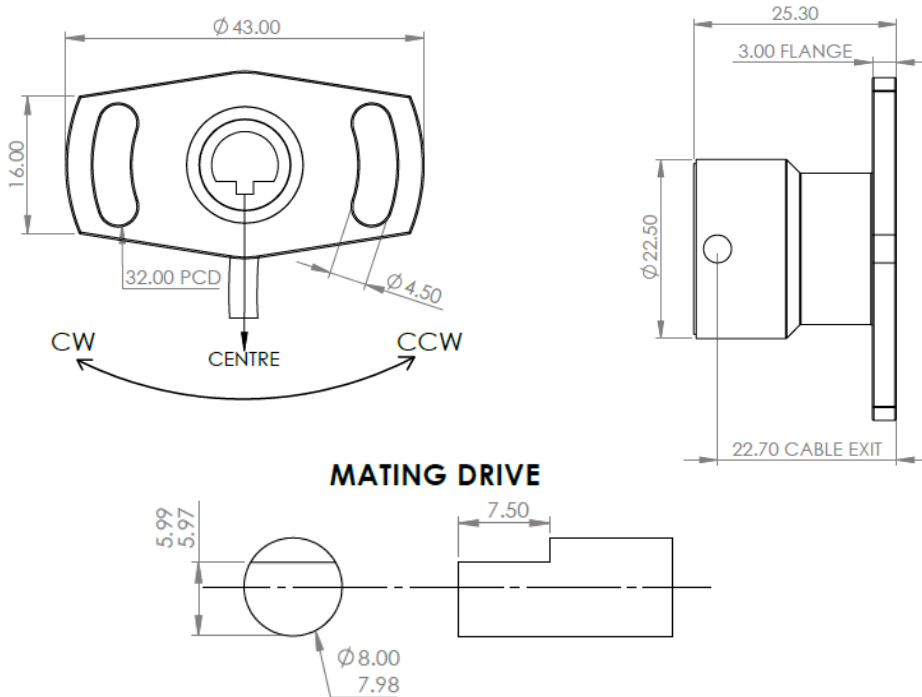
KH31/32 06.19

PART NUMBER CONFIGURATOR

	KH								
Series		Female Channel 1	31						
		Female Channel 2	32						
Channel 1 Range, CW View from Shaft		30° (Degrees)		030					
		60° (Degrees)		060					
		120° (Degrees)		120					
		240° (Degrees)		240					
		360° (Degrees)		360					
		Insert Required Range in Place of XXX°		XXX					
Channel 2 Range CCW View from Shaft		30° (Degrees)		030					
		60° (Degrees)		060					
		120° (Degrees)		120					
		240° (Degrees)		240					
		360° (Degrees)		360					
		Insert Required Range in Place of XXX°		XXX					
Supply		5V			4				
		6-30V			5				
Output Signal		0.5 to 4.5V (2.5V Center)				AA			
		CH1 = 0.5 to 4.5V. CH2 = 4.5 to 0.5V (Opposite)				AB			
		Custom Range, Insert Range Required				XX			
Mounting Flange Style		Flange Design C					C		
Seal Rating		IP65						65	
		IP67						67	
Shaft Style		Female D. 8mm							DF8
Special Codes		None							000

The KA configuration tool is used to specify a standard KA Sensor, other options are available.

MECHANICAL DETAILS



CONNECTION DETAILS

	+Ve Supply	0V Supply	Signal
Single Output	Red	Black	Yellow
Dual Output	Brown	Blue	White

*Sense
Analyse
Control*

Services for:

- Data Logging
- Telemetry
- Controls
- Wiring

Contact us

KA Sensors Ltd
Unit 14 & 15
The Old Malthouse
Springfield Road
Grantham
Lincolnshire
United Kingdom
NG31 7BG

kasensors.com
sales@kasensors.com
+44(0)1476 568057

KH31/32 06.19