



KH SERIES KH21 & 22 NON CONTACT ROTARY POSITION SENSOR

The KH21/22 Series of Non-Contact Rotary Position Sensors are designed to withstand the harsh environments of motorsport and automotive testing applications.

By using a proven 'Hall Effect' technology, the KH21/22 offers high performance and reliability at temperatures up to +150°C. Alternatively, they are capable of operational excellence in cold environments down to -40°C.

With a small and lightweight 22.5mm diameter body, the KH21/22 Sensor is ideal for many applications with typical applications including; throttle, gearbox and pedal position.

This IP67 rated sensor is available with either Single (3 wire) or Dual (6 wire) outputs. The modular design allows for various mounting arrangements with different Shaft/Drive types.

Sensors For Motorsport

Features

- Compact Design
- Excellent Linearity
- High Temperature
- Lightweight
- IP67 Standard Sealing
- Rugged Construction

TECHNICAL SPECIFICATIONS

Electrical Angles (Degrees)	20° to 360° in 1° Increments. Standard Angles: 30°, 60°, 120°, 240° & 360°
Supply	5V DC Regulated
Output	Please See Part Number Configurator For Options
Output Centre Position (Voltage)	2.5V When Shaft Flat / Identifier Is In Line With Cable Exit
Resolution	12 Bit
Accuracy, Linearity	±0.1%
Accuracy, Hysteresis	<0.1°
Update Rate	5KHz
Mechanical Life	> 25 Million Cycles at Max 150RPM
Operating Temperature Range	-40°C to +150°C
Housing Material	Aluminium
Shaft Material	Stainless Steel
Track Technology	Hall Effect
Electrical Connection	50cm 26AWG, 55 Spec, FDR 25 Sleeve
Protection Class	IP67
Weight	15g Without Cable

Applications

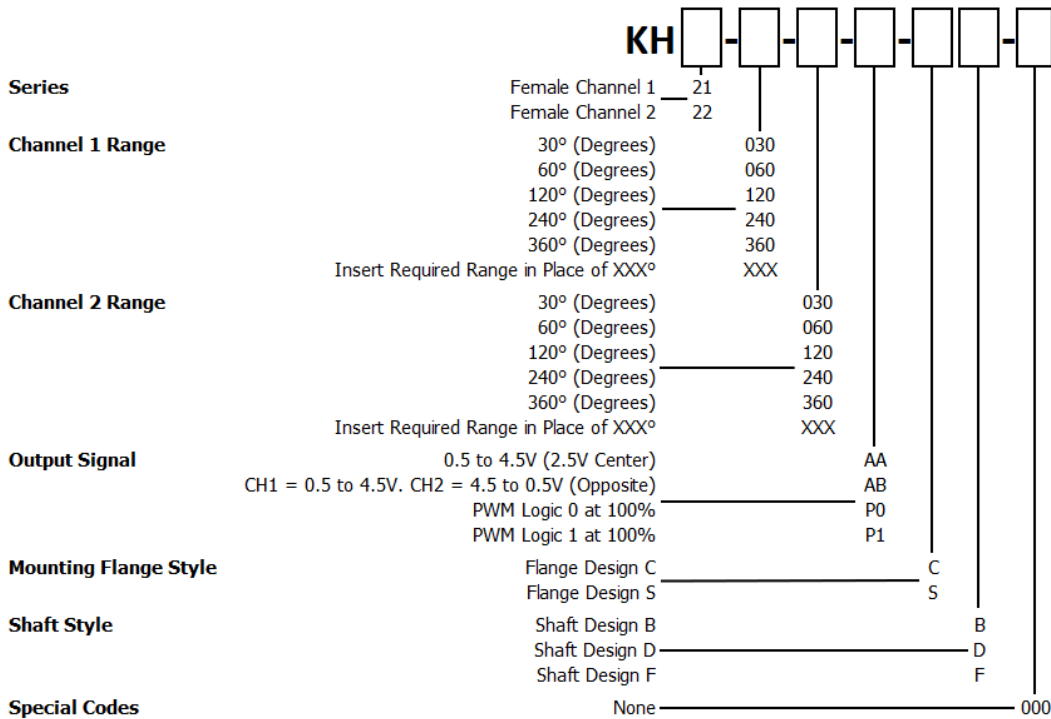
- Throttle Position
- Steering Angle
- Pedal Position
- Gear Position
- Aero Surfaces
- Actuators

kasensors.com
 sales@kasensors.com

KA Sensors adopts a continuous development program which sometimes necessitates specification changes without notice.

KH21/22 10.22

PART NUMBER CONFIGURATOR

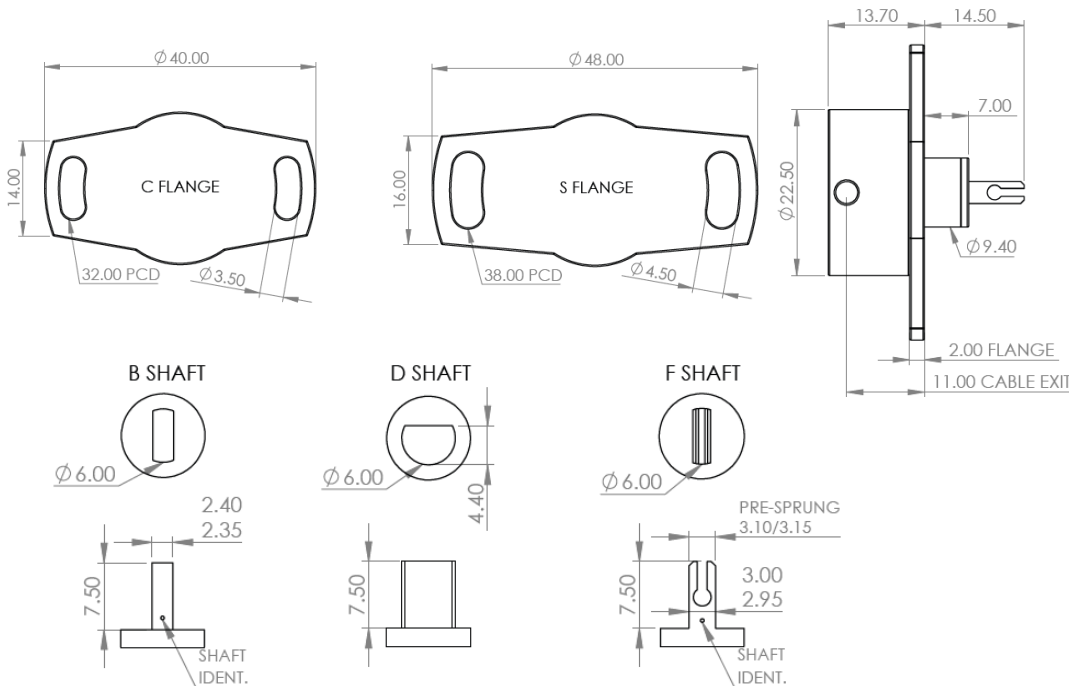


*Sense
 Analyse
 Control*

Services for:

- Data Logging
- Telemetry
- Controls
- Wiring

MECHANICAL DETAILS



Contact us

KA Sensors Ltd
 Unit 13, Priest Court
 Springfield Business Park
 Grantham
 United Kingdom
 NG31 7FZ

CONNECTION DETAILS

	+Ve Supply	0V Supply	Signal
Single Output	Red	Black	Yellow
Dual Output	Brown	Blue	White

kasensors.com
 sales@kasensors.com

KH21/22 10.22