



KBP SERIES BRAKE PEDAL LOAD CELL

The KBP Series of miniature low profile load cells are designed for the detection and measurement of compression forces on brake and other pedal applications.

Construction is stainless steel with a built-in amplifier which allows for a very simple installation. Only 3 wires are needed for connection. Mechanical mounting is via 4x holes for either screw down or tie fixing.

The low profile design ensures minimal interference with the pedal position.

The output signal is proportional to the amount of force and is a linear 0.5 to 4.5V and can be connected to most common data loggers.

The load cell is usually used for vehicle development measurements, but could also be used as a feedback device within control systems.

Sensors For Motorsport

Features

- $\pm 110\text{lbsf}$ to $\pm 450\text{lbsf}$
- Low Profile
- Stainless Steel
- 5V or 8-16Vdc Supply
- Integrated Amplifier

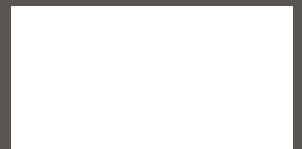
TECHNICAL SPECIFICATIONS

Range FS	$\pm 0-45\text{lbsf}$, $\pm 0-110\text{lbsf}$, $\pm 225\text{lbsf}$, $\pm 335\text{lbsf}$, $\pm 450\text{lbsf}$ (0- 500N, 1000N, 1500N, 2000N)
Safe Over Range	150% of Full Scale Range
Accuracy (Linearity)	$\pm 0.25\%$ FS
Accuracy (Hysteresis)	$\pm 0.25\%$ FS
Accuracy (Off Center Loading)	$< \pm 2.5\%$ FS Combined Linearity & Hysteresis (CNLH)
Thermal Effects	Zero $\pm 0.005\%$ FS/ $^{\circ}\text{F}$ (Sensitivity $\pm 0.005\%$ of Reading / $^{\circ}\text{F}$)
Output	0.5V to 4.5V and 1mV/V
Zero Balance	$\pm 0.5\%$ FS
Supply	5V ($\pm 0.5\text{V}$) Ratiometric or 8-16Vdc
Operating Temperature Range	-40 $^{\circ}\text{F}$ to 212 $^{\circ}\text{F}$ (-40 $^{\circ}\text{C}$ to +100 $^{\circ}\text{C}$)
Compensated Temperature Range	32 $^{\circ}\text{F}$ to 180 $^{\circ}\text{F}$ (0 $^{\circ}\text{C}$ to +80 $^{\circ}\text{C}$)
Construction	Stainless Steel
Electrical Connection	20" or 40", 55spec 26AWG Wire + DR25 Sleeve
Mounting Size	4 x 0.12" diameter holes on 2.72" BCD
Protection Class	IP65
EMC Protection	EN 50082-1
Vibration Protection	Mil-Std-810C, Curve L, 20G
Weight	6.7oz (Excluding Cable)
Options	Connector Fitted and Labelling

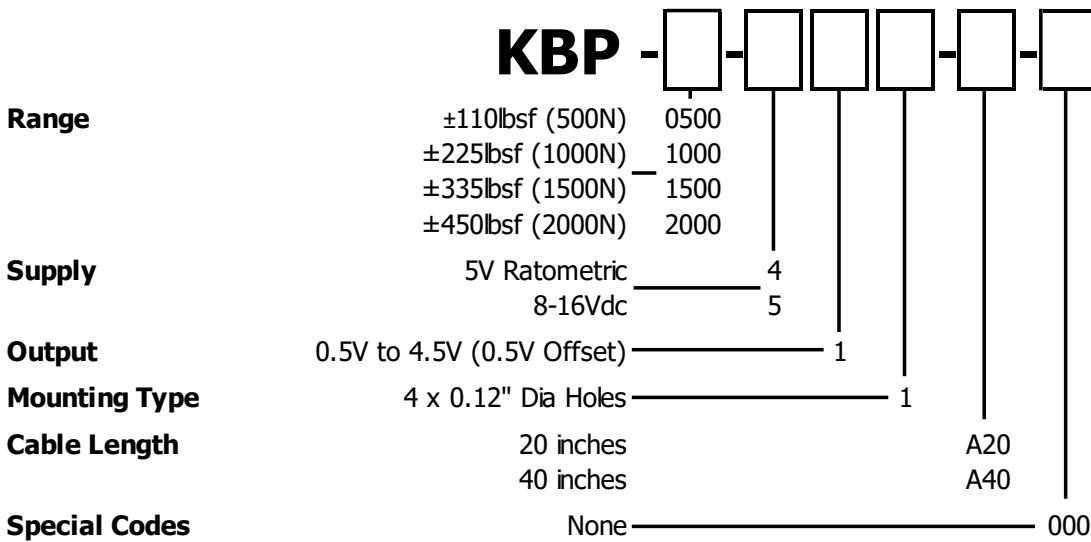
Applications

- Brake Force
- Pedal Force
- General Testing

sales@pmc1.com
www.kasensors.com
Represented by:



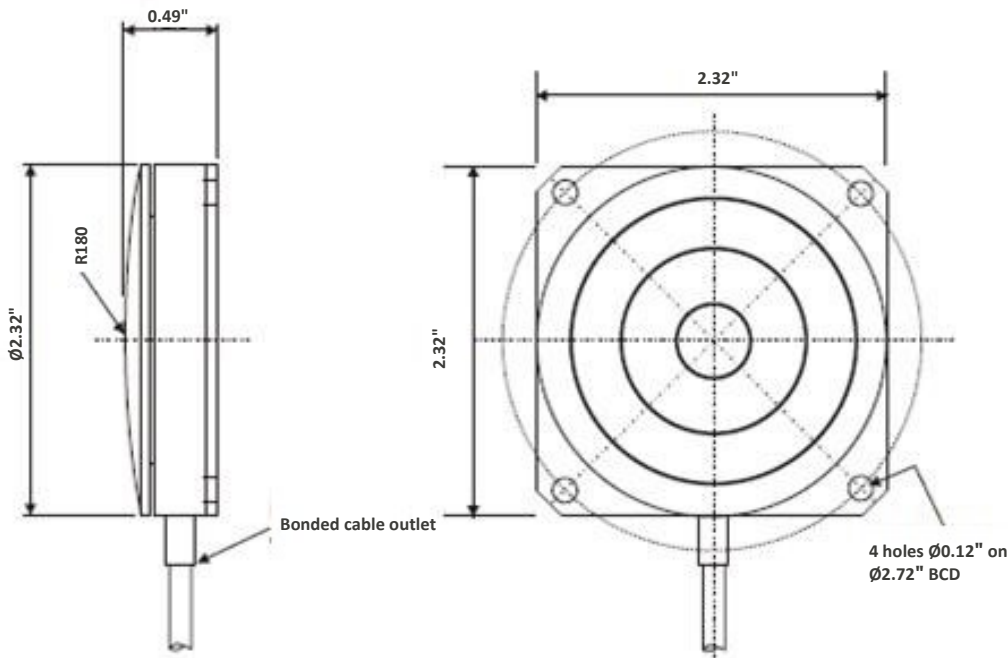
PART NUMBER CONFIGURATOR



The KA configuration tool is used to specify a standard KA Sensor, other options are available.

MECHANICAL DETAILS

Dimensions in inches



ELECTRICAL DETAILS

+Ve Supply	0V Supply	Signal
Red	Black	White

Sense
Analyze
Control

Sensors For:

- Temperature
- Acceleration
- Pressure
- Position
- Torque
- Speed
- Angle
- Force

Services For:

- Data Logging
- Telemetry
- Controls
- Wiring

Contact Us

KA Sensors
Division of
PMC Engineering LLC
11 Old Sugar Hollow Rd
Danbury, CT 06810
USA
Tel: 203-792-8686
Fax: 203-743-2051

sales@pmc1.com
www.kasensors.com