



Sensors For Motorsport

KAP SERIES DIFFERENTIAL PRESSURE TRANSDUCER

The KAP Series is designed for the measurement of dynamic air/gas pressure on or within a vehicle. When used with a Pitot Tube the transducer measures the differential air pressure which is proportional to air speed. Alternatively the KAP can be connected to pressure tapings on aero surfaces to evaluate aerodynamic performance. These transducers are suitable for use directly onto vehicles or as part of a test stand or dyno. Offering a high level of reliability and endurance, the KAP is protected against the high vibration, shock and high temperatures found in motorsport. Also suitable for wet/wet installations.

With a modular construction and programmable amplifier, this provides a fast delivery time for standard configurations. Pressure ranges are available between 25 to 75 mBar Differential. Industry standard 3-wire electrical connections allow configuration with most common ECU's and data logging systems.

The KAP Series is race proven and can be found in many race series around the world. Please see our separate datasheet (KAPT) for details of the standard and custom Pitot Tubes that can be supplied.

Features

- Miniature Size
- 5V or 8-16V Supply
- 25 to 75 mBar Range
- Rugged Design
- Amplified Output

TECHNICAL SPECIFICATIONS

Pressure Reference	Differential
Standard Pressure Ranges (mBar)	25, 50 & 75
Safe Over Range	300% of Range
Burst Pressure	1000% of Range
Accuracy	±0.5% FS Combined Linearity & Hysteresis (CNLH)
Thermal Accuracy	Zero ±0.02% FS/°C (Sensitivity ±0.02% of Reading /°C)
Output	0.5V to 4.5V (±0.5%)
Supply	5V (±0.5V) Ratiometric or 8-16Vdc
Operating Temperature Range	-40°C to +125°C
Compensated Temperature Range	0°C to +125°C
Construction	Anodised Aluminium and Stainless Steel
Electrical Connection	100cm 26AWG, 55Spec Wire + DR25 Sleeve
Process Connection	Barb Fitting (To Suit 2mm ID Tube)
Protection Class	IP67. Dust tight & water immersion to 1m for 30mins
EMC Protection & Vibration	EN E50082-1 and Mil-Std-810C, Curve L, 20G
Weight	Sensor: 30g, Pitot Tube: 60g

Applications

- Aerodynamics
- Air Speed

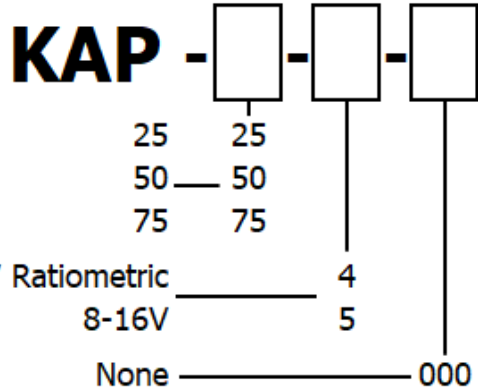
kasensors.com

sales@kasensors.com

KAP 09.22

KA Sensors adopts a continuous development program which sometimes necessitates specification changes without notice.

PART NUMBER CONFIGURATOR



Pressure Range (mBar)

25 25
50 50
75 75

Supply Voltage

5V Ratiometric 4
8-16V 5

Special Codes

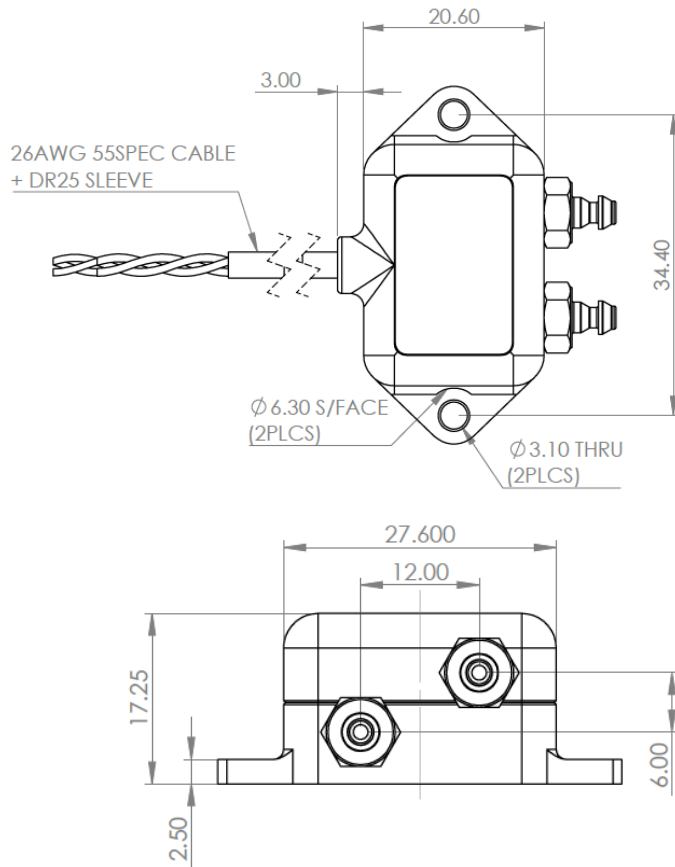
None 000

*Sense
Analyse
Control*

Services for:

- Data Logging
- Telemetry
- Controls
- Wiring

MECHANICAL DETAILS



Contact us

KA Sensors Ltd
Unit 13 Priest Court
Springfield Business Park
Grantham
United Kingdom
NG31 7FZ

kasensors.com
sales@kasensors.com

CONNECTION DETAILS

+Ve Supply	0V Supply	Signal
Red	Black	White

KAP 09.22