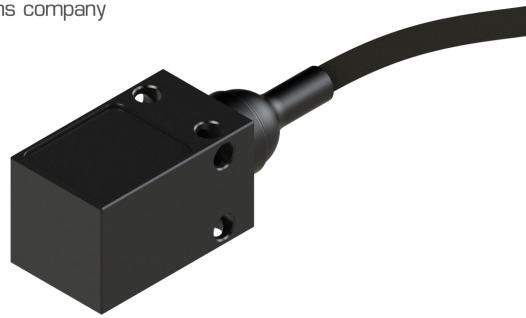


KAH SERIES MINIATURE HUB ACCELEROMETER



The KAH Series of Miniature Accelerometers offer a compact and robust solution for vehicle hub vibration and acceleration analysis.

The sensor offers 1 Axis of measurement within a very small anodised aluminium case. Integral signal conditioning gives a standard signal of 0.5 to 4.5V; ideal for most data acquisition systems.

Supply voltage can be 5V or 8-16V with low current consumption of less than 25mA.

With a bandwidth of zero to 4000Hz, these sensors are also useful for applications within component, full vehicle testing and development programs.

Sensors For Motorsport

Features

- Miniature Size
- $\pm 20g$ to $\pm 100g$
- 1 Axis Output
- DC Response
- Rugged Design
- Built-In Amplifier

TECHNICAL SPECIFICATIONS

Range (g)	Standard Ranges: 20, 50, 100
Bandwidth	DC to 4KHz
Resonant Frequency	20KHz
Safe Over Range	$\pm 5000g$
Accuracy	$< \pm 0.25\%$ FS Linearity
Cross Axis Sensitivity	$< \pm 2\%$ FS ($\pm 5\%$ for $> 20g$)
Thermal Effects	Zero $\pm 0.03\%$ FS/ $^{\circ}C$ (Sensitivity $\pm 0.03\%$ of Reading / $^{\circ}C$)
Output	0.5V to 4.5V (Offset 2.5V)
Supply	5V ($\pm 0.5V$) Ratiometric or 8-16Vdc
Operating Temperature Range	$-40^{\circ}C$ to $+125^{\circ}C$
Compensated Temperature Range	$0^{\circ}C$ to $+100^{\circ}C$
Noise	$> 30\mu g/\sqrt{Hz}$
Construction	Anodised Aluminium
Electrical Connection	100cm, 55Spec, 26AWG Cable + DR25 Sleeve
Protection Class	IP66
Weight	25g (Excluding Cable)

KA Sensors adopts a continuous development program which sometimes necessitates specification changes without notice.

Applications

- Hub Acceleration
- Structural Analysis
- Aero Performance
- Suspension Test
- Launch Control
- Braking

kasensors.com

sales@kasensors.com

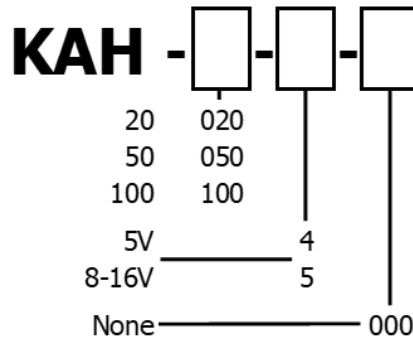
KAH 10.22

PART NUMBER CONFIGURATOR

Range ($\pm g$)

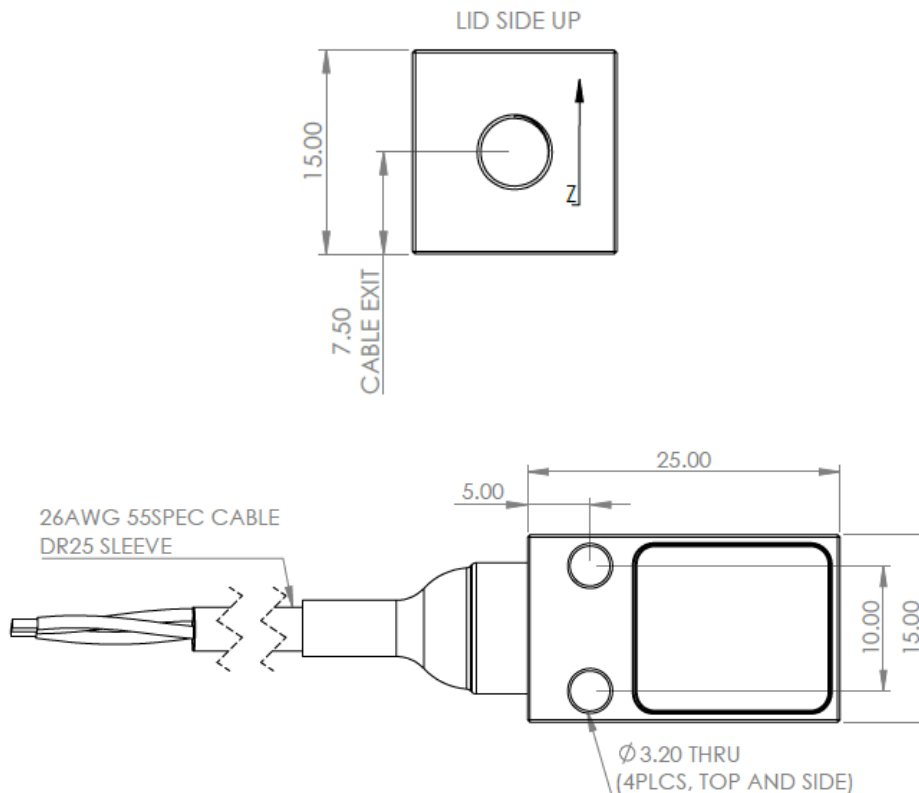
Supply

Special Code



The KA configuration tool is used to specify a standard KA Sensor, other options are available.

MECHANICAL DETAILS



CONNECTION DETAILS

+Ve Supply	0V Supply	Output
Red	Black	White

*Sense
Analyse
Control*

Services for:

- Data Logging
- Telemetry
- Controls
- Wiring

Contact us

KA Sensors Ltd
Unit 13, Priest Court
Springfield Business Park
Grantham
United Kingdom
NG31 7FZ

kasensors.com
sales@kasensors.com

KAH 10.22