



DSTS SERIES DYNAMIC DRIVE SHAFT TORQUE SENSOR

KA Sensors offers a fully custom service to fit wireless dynamic torque measuring sensor to a drive shaft.

Available to both race teams and race car manufacturers the sensor can be designed, manufactured, calibrated and supplied to fit to a wide range of drive shaft diameters.

Having quickly understood customers' requirements, we will prepare the supplied shaft to have the strain gauging bonded on to it. By using leading edge strain gauging techniques and smart amplifiers we are able to measure, amplify and correct temperature errors in one compact assembly. The whole assembly is then fitted with a wireless transmitter with a built in long-life battery pack, along with a rugged receiver unit.

Every sensor is tested and issued with traceable calibration certification before shipping.

With over 30 years of sensor design experience, we are able to offer sensor solutions for almost any application.

TECHNICAL SPECIFICATIONS

Range	±180lb-ft to ±7500lb-ft (±250Nm to ±10000Nm)
Safe Over Range	150% of Range
Linearity	±0.1% FS
Wireless Signal	2.4Ghz Radio Up to 12 channels - encrypted (Range 5M)
Housing Materials	Sensor/Transmitter: Nylon Receiver: Nylon
Sensor Supply	3.6V Internal Battery (> 100Hrs Dependant on the Sample Rate Selected) Current draw 40mA
Transmission Rate	800Hz
Operating Temperature Range	-5°F to +185°F (-20°C to +85°C)
Electrical Connection	Deutsch ASX Connector
Receiver Supply Voltage	5V to 16V
Receiver Output	0.5 –4.5V with 2.5V offset
Protection Class	IP65
Options	Amplifier, Connector Fitting and Labelling

PMC/KA Sensors adopts a continuous development program which sometimes necessitates specification changes without notice

Sensors For Motorsport

Features

- Ranges to ±7500lb-ft
- Wireless Output
- Internal 3V Battery
- Various Shaft Sizes
- Full Custom Service

Applications

- Input Shafts
- Half Shafts
- Steering

sales@pmc1.com
www.kasensors.com
Represented by:

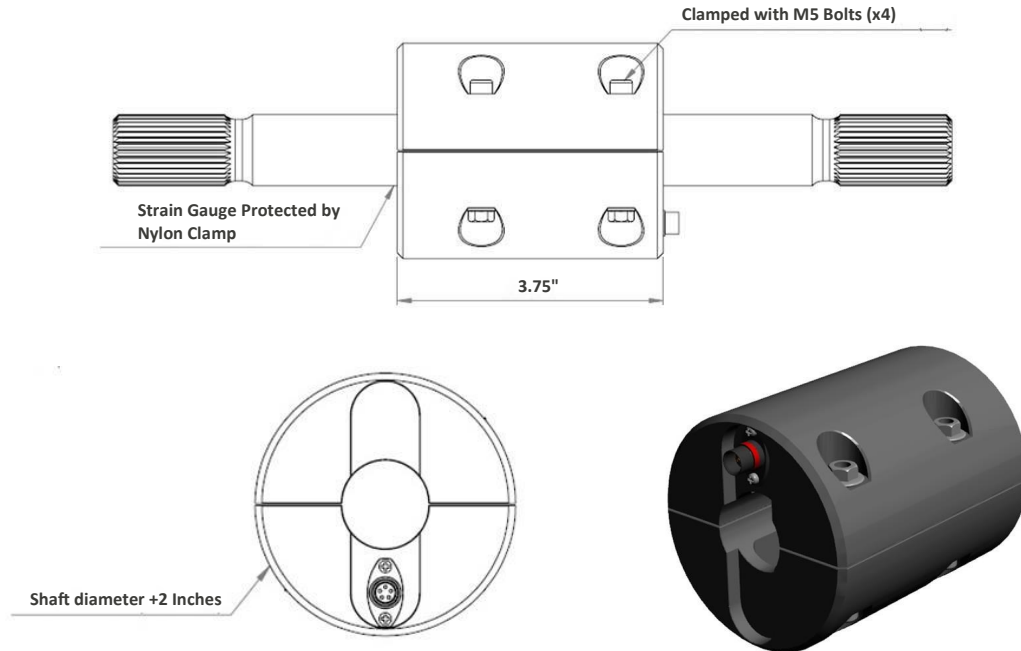


PART NUMBER CONFIGURATOR

Ordering Information: Since this product is custom there is no standard configuration. Please contact KA Sensors to order.

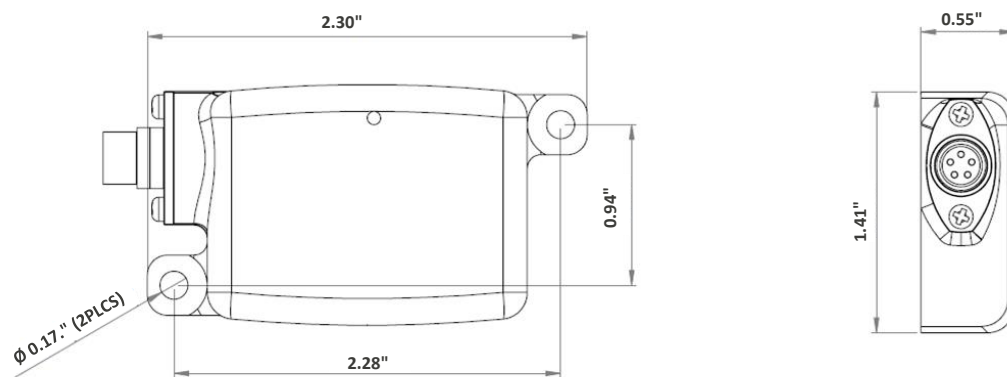
TRANSMITTER - MECHANICAL DETAILS

Dimensions in inches



RECEIVER - MECHANICAL DETAILS

Dimensions in inches



ELECTRICAL DETAILS

+Ve Supply	0V Supply	Signal	RX	TX
Pin 1	Pin 2	Pin 3	Pin 4	Pin 5

Sense
Analyze
Control

Sensors For:

- Temperature
- Acceleration
- Pressure
- Position
- Torque
- Speed
- Angle
- Force

Services For:

- Data Logging
- Telemetry
- Controls
- Wiring

Contact Us

KA Sensors
Division of
PMC Engineering LLC
11 Old Sugar Hollow Rd
Danbury, CT 06810
USA
Tel: 203-792-8686
Fax: 203-743-2051

sales@pmc1.com
www.kasensors.com