

## DSTS SERIES DYNAMIC DRIVE SHAFT TORQUE SENSOR



KA Sensors offers a fully custom service to fit a wireless Dynamic Torque Measuring Sensor to a drive shaft.

Available to both race teams and race car manufacturers the sensor can be designed, manufactured, calibrated and supplied to fit to a wide range of Drive Shaft Diameters.

Having quickly understood customers' requirements, we will prepare the supplied shaft to have the Strain Gauging bonded on to it. By using leading edge Strain Gauging techniques and smart amplifiers we are able to measure, amplify and correct temperature errors in one compact assembly. The whole assembly is then fitted with a wireless transmitter with a built in long-life battery pack, along with a robust receiver unit.

Every sensor is tested and issued with traceable calibration certification before shipping.

With over 30 years of sensor design experience, we are able to offer sensor solutions for almost any application.

### TECHNICAL SPECIFICATIONS

<b>Range</b>	±250Nm to ±10000Nm or ±180Lbft to ±7500Lbft
<b>Safe Over Range</b>	150% of Range
<b>Linearity</b>	±1% FS
<b>Wireless Signal</b>	2.4Ghz Radio Up to 12 channels - encrypted (Range 5M)
<b>Housing Materials</b>	Sensor/Transmitter: Nylon Receiver: Nylon
<b>Sensor Supply</b>	3.6V Internal Battery (> 100Hrs Dependant on the Sample Rate Selected) Current draw 40mA
<b>Transmission Rate</b>	800Hz
<b>Operating Temperature Range</b>	-20°C to +85°C (0 to +190°F)
<b>Electrical Connection</b>	Deutsch ASX Connector
<b>Receiver Supply Voltage</b>	5V to 16V
<b>Receiver Output</b>	0.5 –4.5V with 2.5V offset
<b>Protection Class</b>	IP65
<b>Options</b>	Amplifier, Connector Fitting and Labelling

KA Sensors adopts a continuous development program which sometimes necessitates specification changes without notice.

## Sensors For Motorsport

### Features

- 0 to ±10000Nm
- Wireless Output
- Internal 3.6V Battery
- Various Shaft Sizes
- Full Custom Design

### Applications

- Input Shafts
- Half Shafts
- Steering

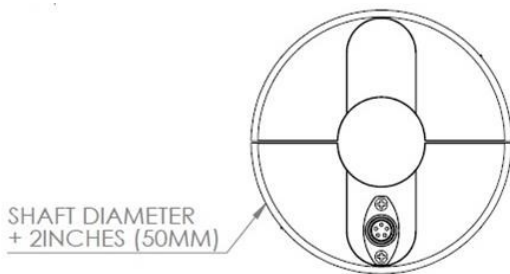
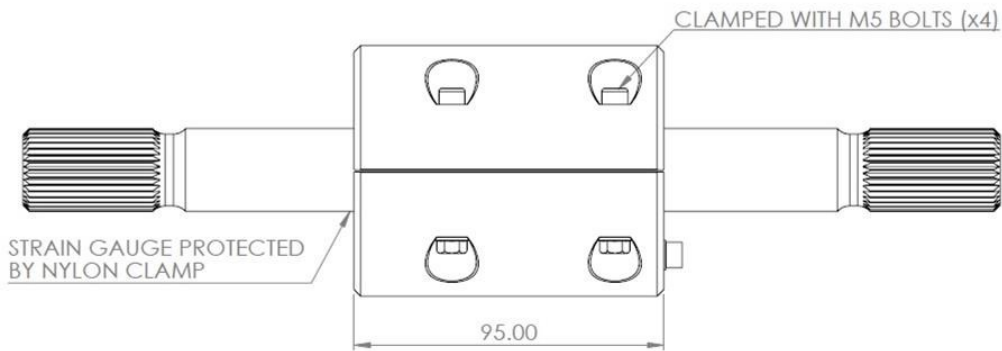
kasensors.com

sales@kasensors.com

+44(0)1476 568057

DSTS 09.19

## TRANSMITTER — MECHANICAL DETAILS

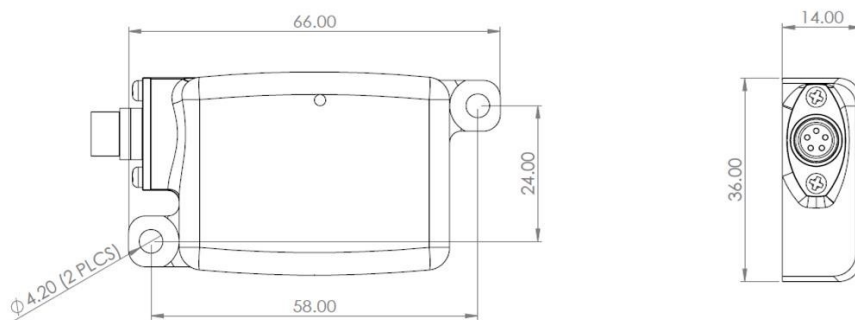


*Sense  
Analyse  
Control*

### Services for:

- Data Logging
- Telemetry
- Controls
- Wiring

## RECEIVER — MECHANICAL DETAILS



### Contact us

KA Sensors Ltd  
Unit 14 & 15  
The Old Malthouse  
Springfield Road  
Grantham  
Lincolnshire  
United Kingdom  
NG31 7BG

## CONNECTION DETAILS

+Ve Supply	0V Supply	Signal	RX	TX
Pin 1	Pin 2	Pin 3	Pin 4	Pin 5

kasensors.com  
sales@kasensors.com  
+44(0)1476 568057

DSTS 09.19