



## ASUH SERIES 4-20mA HYBRID PRESSURE TRANSDUCER

The ASUH Series of High Performance Sub-Miniature Pressure Transducers have been designed for demanding high temperature installations in precision engineering. The design utilises miniaturised hybrid components, allowing savings in both size and weight.

This transducer has enhanced performance at elevated temperature and is optimised for extreme installations such as on-engine or high performance test stand. With a modular construction and programmable amplifier, this provides a fast delivery time for standard and custom configurations.

Pressure ranges are available between 1 to 400 Bar in either Absolute or Sealed Gauge reference. Industry standard 4-20mA 2-wire electrical connections allow configuration with most common data acquisition systems.

### TECHNICAL SPECIFICATIONS

<b>Pressure Reference</b>	Absolute or Sealed Gauge
<b>Standard Pressure Ranges (Bar)</b>	Low Range: 1, 2, 5, 10, 15, 20, 35 and 50 High Range: 100, 200 and 400
<b>Proof Pressure (Over range)</b>	200% of Range
<b>Burst Pressure</b>	>500% of Range
<b>Accuracy</b>	±0.08% FS Combined Linearity & Hysteresis (CNLH) ±0.25% FS Combined Linearity & Hysteresis (CNLH)
<b>Thermal Accuracy (Total Error Band)</b>	<±0.25% FS TEB within Compensated Range Zero ±0.02% FS/°C (Sensitivity ±0.02% of Reading /°C)
<b>Output</b>	4-20mA (±0.5%) 2-wire current loop
<b>Supply</b>	9-40Vdc
<b>Operating Temperature Range</b>	-40°C to +150°C
<b>Compensated Temperature Range</b>	Please See Part Number Configurator
<b>Bandwidth</b>	0-1000Hz
<b>Construction</b>	Stainless Steel
<b>Electrical Connection</b>	26AWG, 55 Spec Wire + DR25 Sleeve Or, Hermetic Connector: 8STA1-Y02-05PN170
<b>Process Connection (Thread Size)</b>	Please See Part Number Configurator
<b>Protection Class</b>	IP67 (Cable Option), Hermetic Seal (Connector)
<b>EMC Protection &amp; Vibration</b>	EN E50082-1 and Mil-Std-810C, Curve L, 20G
<b>Weight</b>	Cable Option: 27g Connector Option: 21g

KA Sensors adopts a continuous development program which sometimes necessitates specification changes without notice.

## Sensors For Precision

### Features

- Sub-Miniature Size
- 4-20mA Output
- 1 to 400 Bar Range
- Cable or Connector
- 1mS Response Time
- High Accuracy

### Applications

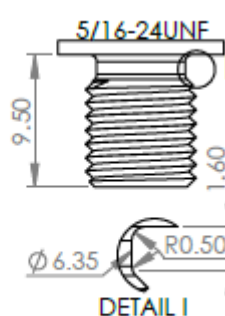
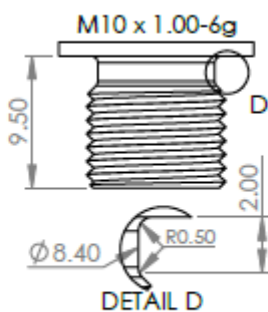
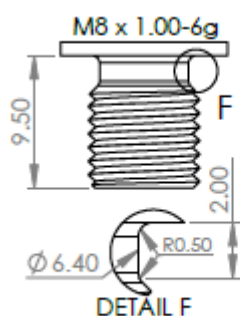
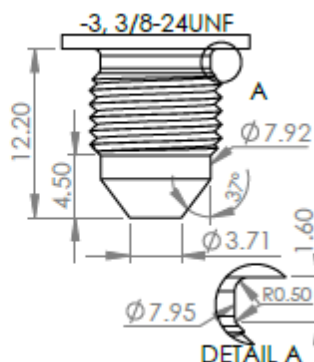
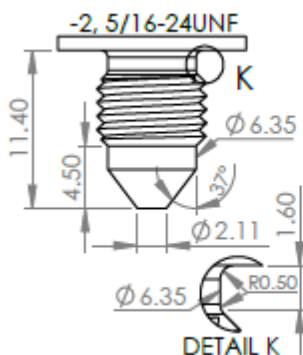
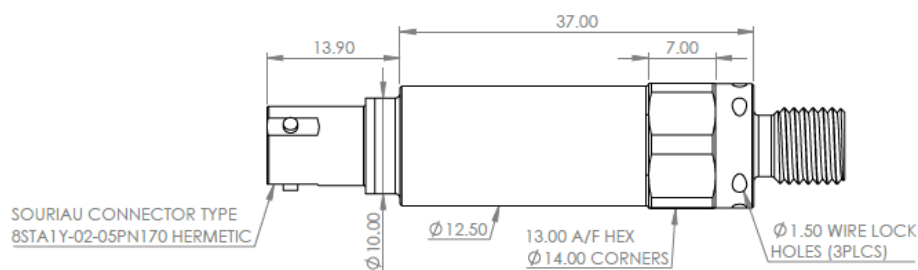
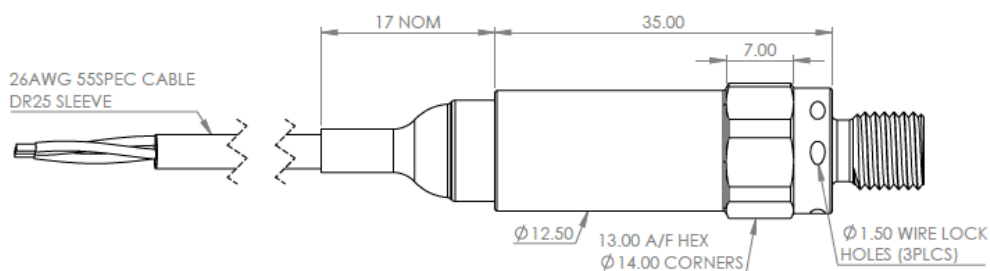
- Coolant
- Hydraulics
- Propellants
- Fuel
- Oil

kasensors.com

sales@kasensors.com

ASUH 10.22

# MECHANICAL DETAILS



Sense  
Analyse  
Control

Services for:

- Data Logging
- Telemetry
- Controls
- Wiring

kasensors.com  
sales@kasensors.com

ASUH 10.22

# PART NUMBER CONFIGURATOR

Pressure Reference

**ASUH** - [ ] - [ ] - [ ] - [ ] - [ ]

Absolute Sealed Gauge

Pressure Range

1 Bar 1000  
2 Bar 2000  
5 Bar 5000  
10 Bar 1002  
15 Bar 1502  
20 Bar 2002  
35 Bar 3502  
50 Bar 5002  
100 Bar 1003  
200 Bar 2003  
400 Bar 4003

Compensated Temperature Range (CTR)

Standard 0°C to +125°C 1  
0°C to +150°C 2  
-25 to +100°C 3  
-40 to +125°C 4  
-40 to +150°C 5

Electrical Connection

26AWG, 55 Spec Wire + DR25 Sleeve A  
26AWG, 55 Spec Wire + Viton Sleeve B  
Hermetic Connector. 8STA1-Y02-05PN170 5PN

Process Connection

3/8 Inch 24 UNF Dash 3 (SAE J514) A  
M10 x 1 Male (ISO 6149-2) D  
M8 x 1 Male (ISO 6149-2) F  
5/16 Inch 24 UNF - No Cone (SAE J514) I  
5/16 Inch 24 UNF Dash 2 (SAE J514) K  
M5 x 0.8 Male P

Special Code

None 000

*Sense  
Analyse  
Control*

Services for:

- Data Logging
- Telemetry
- Controls
- Wiring

## CONNECTION DETAILS

Cable Option		
+Ve Supply	GND	Factory Use Only
Red	Black	White

Hermetic Connector Option			
+Ve Supply	GND	Factory Use Only	Not Connected
Pin 1	Pin 2	Pin 3	Pin 4 & 5

Contact us

KA Sensors Ltd

Unit 13, Priest Court

Springfield Business Park

Grantham

United Kingdom

NG31 7FZ

kasensors.com

sales@kasensors.com

ASUH 10.22