

ASMPB SERIES STANDARD METRI-PACK PRESSURE TRANSDUCER



The ASMPB Standard Series of High Performance Pressure Transducers have been designed for the detection of fluid and air pressures in demanding motorsport and automotive applications. With a modular construction and programmable amplifier, this provides a fast delivery time for standard and custom configurations.

Pressure ranges are available between 1 to 5 Bar in Absolute reference.

The ASMP Series are race proven and can be found in many race formula around the world.

TECHNICAL SPECIFICATIONS

Pressure Reference	Absolute
Standard Pressure Ranges (Bar)	1, 2, 3, 4, 5
Proof Pressure (Over range)	150% of Range
Burst Pressure	>300% of Range
Accuracy	±0.5% FS Combined Linearity & Hysteresis (CNLH)
Thermal Accuracy	Zero ±0.04% FS/°C (Sensitivity ±0.04% of Reading /°C)
Output	0.5V to 4.5V (±0.5%)
Supply	5V (±0.5V) Ratiometric or 8-16Vdc
Operating Temperature Range	-20°C to +135°C
Compensated Temperature Range	0°C to +125°C
Construction	Alumina, Black Anodised Aluminium, FEP and Viton
Electrical Connection	Metri-Pack (Packard) 3-Pin 150 Series Connector
Process Connection (Thread Size)	Barb to Suit 4mm ID Tube
Protection Class	IP67
EMC Protection & Vibration	EN E50082-1 and Mil-Std-810C, Curve L, 20G
Weight	34g
Options	Mating Half Connector, Case Assembly and Labelling

Ka Sensors adopts a continuous development program which sometimes necessitates specification changes without notice.

Sensors For Motorsport

Features

- Barbed Hose Fitting
- 1 to 5 Bar Range
- Rugged Construction
- Lightweight
- Amplified Output
- ±0.5% Accuracy

Applications

- Low Pressure
- Barometric
- Boost
- MAP

kasensors.com

sales@kasensors.com

+44(0)1476 568057

ASMPB 10.19

PART NUMBER CONFIGURATOR

Pressure Reference
Pressure Range

Supply Voltage

Accuracy (CNLH)

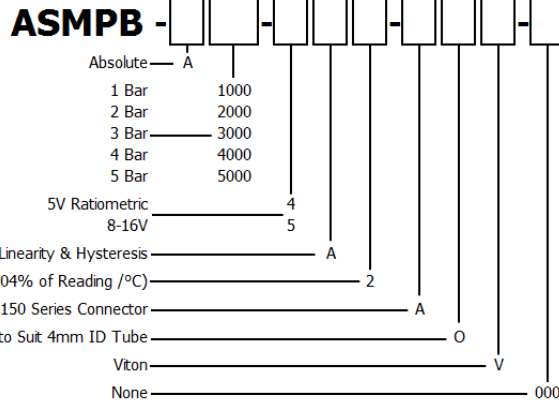
Accuracy (Thermal Shift)

Electrical Connection

Process Connection

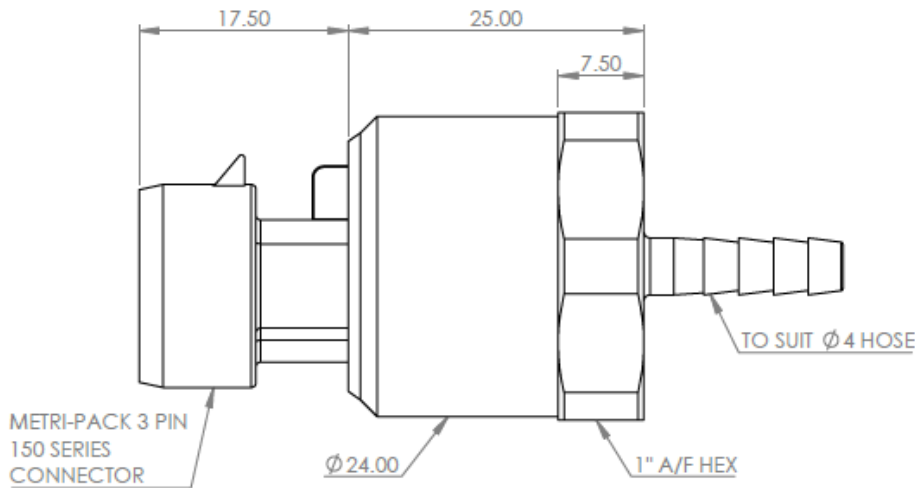
O-Ring Material (Internal)

Special Code

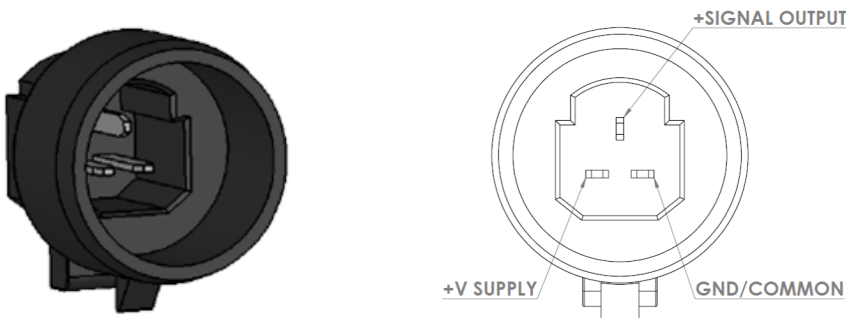


The KA configuration tool is used to specify a standard KA Sensor, other options are available.

MECHANICAL DETAILS



CONNECTION DETAILS



*Sense
Analyse
Control*

Services for:

- Data Logging
- Telemetry
- Controls
- Wiring

Contact us

KA Sensors Ltd
Unit 14 & 15
The Old Malthouse
Springfield Road
Grantham
Lincolnshire
United Kingdom
NG31 7BG

kasensors.com
sales@kasensors.com
+44(0)1476 568057

ASMPB 10.19