

# SPI SERIES SPEED SENSOR



The SPI Series Sensors have been designed as simple compact speed sensors for demanding installations in motorsport and on-vehicle automotive applications.

The main construction is aluminum which provides for a rugged sensor even in exposed areas such as the engine bay or wheel hub.

Using proven Hall Effect sensing technology, the SPI detects a change in magnetic field as the target passes the sensor tip. The output transistor switches its state as the target passes, so giving a measureable pulse train which can be used within standard data logging equipment or ECU's.

## TECHNICAL SPECIFICATIONS

<b>Measurement Frequency</b>	8KHz
<b>Sensor Type</b>	Hall Effect
<b>Mounting</b>	Flange with single screw fixing
<b>Target Size</b>	0.31" wide x to 0.04" long
<b>Air Gap</b>	0.08" to 0.12"
<b>Output</b>	NPN - Internal pullup resistor value 10kΩ
<b>Max Load Current</b>	25 mA Max
<b>Power Supply</b>	5-24Vdc (10mA)
<b>Operating Temperature Range</b>	-40°F to +300°F (-40°C to +150°C)
<b>Construction</b>	Anodized Aluminum
<b>Electrical Connection</b>	24 ins, 22AWG cable + DR25 sleeve (others available)
<b>Cable Exit</b>	Straight or Right Angle
<b>Mechanical Dimensions</b>	Probe Diameter - 0.70" & 1.25" long.
<b>Protection Class</b>	IP67
<b>Vibration Protection</b>	5KHz sine at 100g
<b>Weight (Excluding Cable)</b>	0.88oz
<b>Options</b>	Cable assembly, connector and labelling

PMC/KA Sensors adopts a continuous development program which sometimes necessitates specification changes without notice

## Sense Measure Control

### Features

- *Miniature Size*
- *Flange Mounting*
- *NPN Output*
- *IP67 Sealed*
- *5-24V Supply*

### Applications

- *Speed*
- *Crank Speed/Position*
- *Wheel Speed*
- *Drive Shaft Speed*
- *Traction Control*
- *Launch Control*

### Contact us

KA Sensors  
Division of  
PMC Engineering LLC  
11 Old Sugar Hollow Rd  
Danbury, CT 06810  
USA  
sales@pmc1.com  
Tel: 203-792-8686  
Fax: 203-743-2051  
www.kasensors.com

Represented by:



# KAfigurator

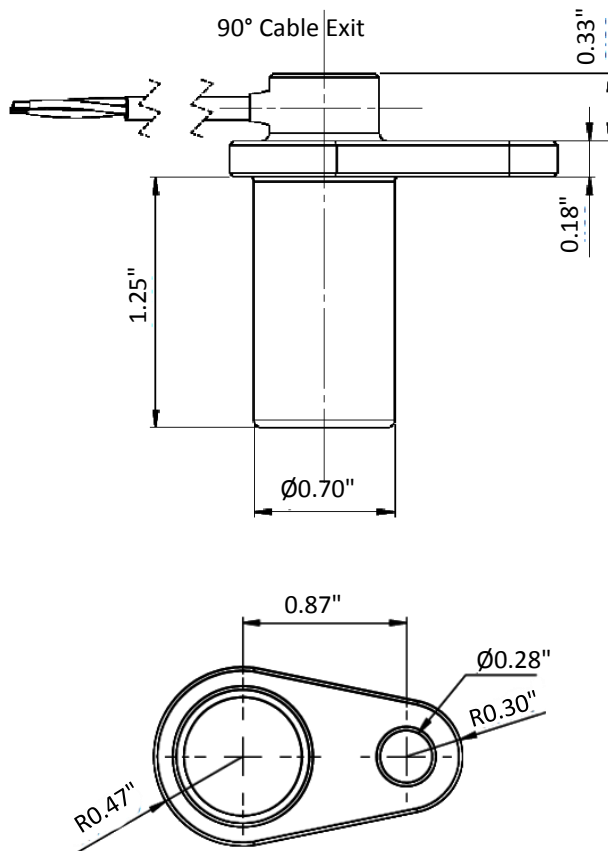
SPI	FL	NPN	0.7	ST	024	000
-----	----	-----	-----	----	-----	-----

<b>Flange</b>		FL				
<b>Output</b>	NPN, Internal pullup resistor value 10KΩ		NPN			
<b>Sensor Length (inches)</b>			0.7			
<b>Cable Exit</b>	Straight			ST		
	90° Degrees (Right Angle)			RT		
<b>Cable Length (inches)</b>	24 inch				24	
	40 inch				40	
<b>Special Codes</b>	None					000

The KA configuration tool is used to specify a standard KA Sensor, **other options are available.**

## MECHANICAL DETAILS

Dimensions in inches



## ELECTRICAL DETAILS

+Ve Supply	0V Supply	Signal
Red	Black	White

## Sense Measure Control

### Sensors for

- Temperature
- Acceleration
- Pressure
- Position
- Torque
- Speed
- Angle
- Force

### Services for

- Data Logging
- Telemetry
- Controls
- Wiring
- Design

### KA Sensors is

- Engineering led
- Confidential
- Experienced
- Responsive
- Dynamic
- Friendly

**Sensors and solutions for Motorsport and On-Vehicle applications**