



SPI SERIES SPEED SENSOR

The SPI Series speed sensors have been designed as simple compact sensors suited to the demanding motorsport and on-vehicle automotive testing applications.

The main construction is aluminum which provides for a rugged sensor, even in exposed areas such as the engine bay or wheel hub. The sensor will continuously operate at temperatures up to 300°F.

By using a proven 'Hall Effect' technology, the SPI detects a change in magnetic field as the target passes the sensors tip. The output transistor switches its state as the target passes, so giving a measurable pulse train which can be used within standard data logging equipment or ECU's.

Sensors For Motorsport

Features

- Miniature Size
- Flange Mounting
- NPN Output
- IP67 Sealed
- 5-24V Supply

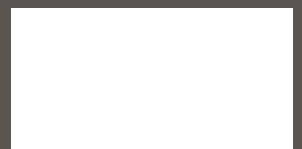
TECHNICAL SPECIFICATIONS

Measurement Frequency	8KHz
Sensor Type	Hall Effect
Mounting	Flange with Single Screw Fixing
Target Size (Width x Length)	0.70" Wide x 0.04" Long (Minimum)
Sensing Range (Air Gap)	0.04" to 0.12"
Output	NPN. Internal Pullup Resistor Value 10KΩ
Max Load Current	25mA Max
Power Supply	5-24Vdc (10mA)
Operating Temperature Range	-40°F to +300°F (-40°C to +150°C)
Construction	Anodized Aluminum
Electrical Connection	Please See Part Number Configurator - page 2
Cable Exit	Straight or Right Angle
Mechanical Dimensions	Probe Diameter: 0.70" & 1.25" Long
Protection Class	IP67
Vibration Protection	5KHz Sine at 100g
Weight (Excluding Cable)	0.88oz
Options	Cable Spec, Connection Options and Labelling

Applications

- Speed
- Crank Speed / Position
- Wheel Speed
- Drive Shaft Speed
- Traction Control
- Launch Control

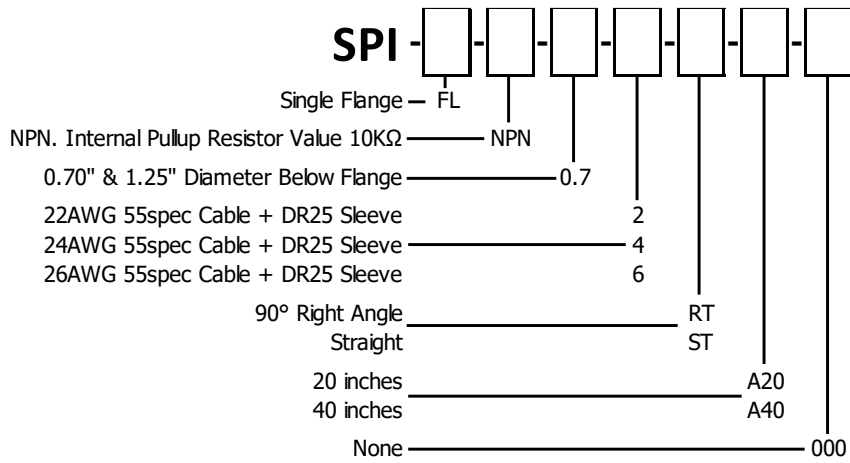
sales@pmc1.com
www.kasensors.com
Represented by:



PMC/KA Sensors adopts a continuous development program which sometimes necessitates specification changes without notice

PART NUMBER CONFIGURATOR

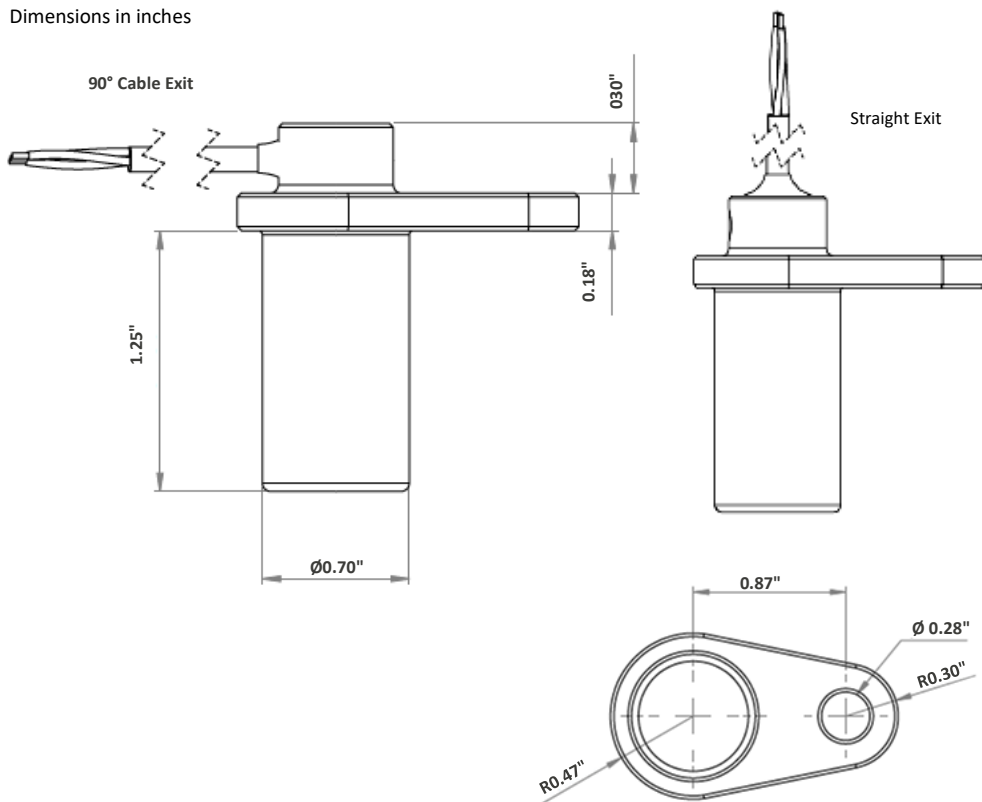
Flange
Output
Sensor Length
Electrical Connection
Cable Exit
Cable Length
Special Code



The KA configuration tool is used to specify a standard KA Sensor, other options are available.

MECHANICAL DETAILS

Dimensions in inches



ELECTRICAL DETAILS

+Ve Supply	0V Supply	Signal
Red	Black	White

Sense
Analyze
Control

Sensors For:

- Temperature
- Acceleration
- Pressure
- Position
- Torque
- Speed
- Angle
- Force

Services For:

- Data Logging
- Telemetry
- Controls
- Wiring

Contact Us

KA Sensors
 Division of
 PMC Engineering LLC
 11 Old Sugar Hollow Rd
 Danbury, CT 06810
 USA

Tel: 203-792-8686
 Fax: 203-743-2051

sales@pmc1.com
 www.kasensors.com