

# KAP SERIES DIFFERENTIAL PRESSURE SENSOR

The KAP Series of cost effective high performance pressure transducers have been designed for dynamic pressure measurements using a Pitot tube in demanding motorsport and on-vehicle automotive applications.

These are ideal for high precision data acquisition or control systems. The transducers can be installed directly onto vehicles or as part of a test stand or dyno.

The transducers offer a high level of reliability and endurance, they are protected against the high vibration, shock and high temperatures found in motorsport. The sensor is also suitable for wet/wet installations.

The modular construction and programmable amplifier provide a fast delivery time for standard and custom configurations. Pressure ranges are available between 25 mbar to 75 mbar differential. Industry standard 3-wire electrical connections allow configuration with most common ECU's and data logging systems.

The KAP Series are race proven and can be found in many race series around the world.

See the separate datasheet (KAPT) for details of the standard and custom Pitot Tubes that can be supplied

**Sense  
Measure  
Control**

## Features

- *Miniature Size*
- *5V or 8-16V Supply*
- *25 to 75 mbar Range*
- *Rugged Design*
- *Amplified Output*

## Applications

- *Aerodynamics*
- *Air Speed*

## TECHNICAL SPECIFICATIONS

<b>Pressure Reference</b>	Differential
<b>Standard Pressure Ranges (mBar)</b>	25, 50 and 75
<b>Safe Over Range</b>	3 times range
<b>Burst Pressure</b>	10 times range
<b>Accuracy</b>	±0.5% FS combined linearity & hysteresis (CNLH)
<b>Thermal Effects</b>	Zero ±0.01% FS/°F (Sensitivity ±0.01% of reading /°F)
<b>Output</b>	0.5V to 4.5V
<b>Supply</b>	5V (±0.5V) ratiometric or 8-16Vdc
<b>Operating Temperature Range</b>	-5°F to 185°F (-20°C to +85°C)
<b>Compensated Temperature Range</b>	32°F to 185°F (0°C to +85°C)
<b>Construction</b>	Anodized aluminum and stainless steel
<b>Electrical Connection</b>	20 ins, 26AWG 55spec wire + DR25 sleeve
<b>Pressure Connection (Thread Size)</b>	Tube Fitting
<b>Protection Class</b>	IP65
<b>EMC Protection &amp; Vibration</b>	EN 50082-1 and Mil-Std-810C, curve L, 20G
<b>Weight</b>	1oz for Sensor and 2oz for the pitot tube
<b>Options</b>	Cable assembly, connector fitted and labelling

## Contact us

KA Sensors  
Division of  
PMC Engineering LLC  
11 Old Sugar Hollow Rd  
Danbury, CT 06810  
USA  
sales@pmc1.com  
Tel: 203-792-8686  
Fax: 203-743-2051  
www.kasensors.com

Represented by:



PMC/KA Sensors adopts a continuous development program which sometimes necessitates specification changes without notice

**Sensors and solutions for Motorsport and On-Vehicle applications**

# KAfigurator

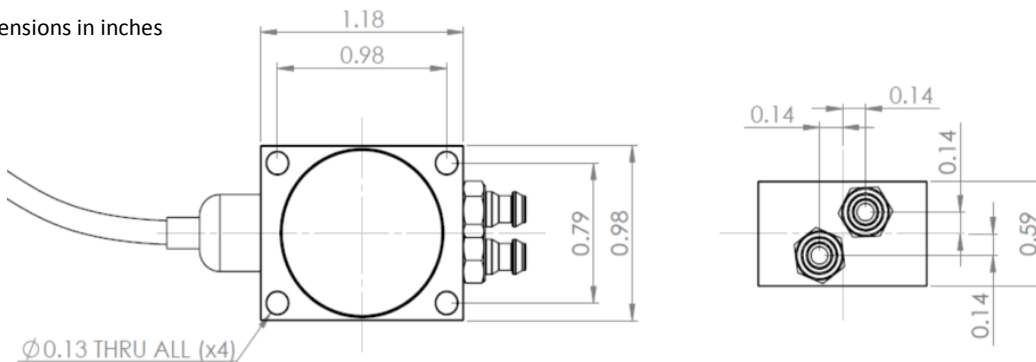
KAP	75	4	A20	000
-----	----	---	-----	-----

Pressure Range (mbar)	25	25		
	50	50		
	75	75		
Supply Voltage	5V ratiometric		4	
	8-16V		5	
Cable Length	20 inch		A20	
Special Codes	None			000

The KA configuration tool is used to specify a standard KA Sensor, **other options are available.**

## MECHANICAL DETAILS

Dimensions in inches



## ELECTRICAL DETAILS

+Ve Supply	0V Supply	Signal
Red	Blue	Yellow

## Sense Measure Control

### Sensors for

- Temperature
- Acceleration
- Pressure
- Position
- Torque
- Speed
- Angle
- Force

### Services for

- Data Logging
- Telemetry
- Controls
- Wiring
- Design

### KA Sensors are

- Engineering led
- Confidential
- Experienced
- Responsive
- Dynamic
- Friendly

**Sensors and solutions for Motorsport and On-Vehicle applications**