

AS SERIES HIGH ACCURACY PRESSURE TRANSDUCER

The AS series of high performance pressure transducers have been designed for the detection of fluid and air pressures in demanding motorsport and automotive applications.

These are ideal for high precision data acquisition or control systems. The transducers can be installed directly onto vehicles or as part of a test stand or dyno.

They offer a high level of reliability and endurance, they are protected against the high vibration, shock and high temperatures found in motorsport.

The modular construction and programmable amplifier provide a fast delivery time for standard and custom configurations. Pressure ranges are available between 1 to 400 bar in either sealed gauge, gauge or absolute reference.

Industry standard 3-wire electrical connections allow configuration with most common ECU's and data logging systems. The AS series are race proven in many formula around the world and offer a reliable and cost effective solution for professional engineers.

TECHNICAL SPECIFICATIONS

| | |
|---|---|
| Pressure Datum | Sealed gauge, absolute and gauge |
| Standard Pressure Ranges (Bar) | 1, 5, 10, 15, 20, 35, 50, 100, 200 and 400 |
| Safe Over Range | 150% of range |
| Burst Pressure | >300% of range |
| Accuracy | ±0.25% FS combined linearity & hysteresis (CNLH) |
| Thermal Effects | Zero ±0.02% FS/°C (Sensitivity ±0.02% of reading /°C) |
| Output | 0.5V to 4.5V |
| Supply | 5V (±0.5V) ratiometric or 8-16Vdc |
| Operating Temperature Range | -20°C to +135°C |
| Compensated Temperature Range | 0°C to +135°C |
| Construction | Stainless steel, alumina, Viton & EPDM |
| Electrical Connection | 50 cm 26AWG, 55spec wire +DR25 sleeve |
| Process Connection (Thread Size) | Various - see KAfigurator Part Number Builder - Page 2 |
| Protection Class | IP67 |
| EMC Protection & Vibration | EN 50082-1 and Mil-Std-810C, curve L, 20G |
| Weight | 49g (Including cable) |
| Options | Cable length, connector fitted, thread size and labelling |

KA Sensors adopts a continuous development program which sometimes necessitates specification changes without notice

**Sense
Measure
Control**

Features

- *High Accuracy*
- *1 to 400 Bar Range*
- *Rugged Design*
- *Amplified Output*
- *±0.25% Accuracy*

Applications

- *Coolant*
- *Brakes*
- *Water*
- *Boost*
- *Fuel*
- *Oil*

Contact us

KA Sensors Ltd
Unit 14 - 15
The Old Malthouse
Springfield Road
Grantham
Lincolnshire
United Kingdom
NG31 7BG

sales@kasensors.com
+44(0)1476 568057

KAlibrated solutions for motorsport

kasensors.com

KAfigurator

AS S 2002 5 A 2 A B V 050 000

| | | | | | | | | | |
|--------------------------------------|--------------------------------|------|--|--|--|--|-----|-----|--|
| Pressure Datum | Absolute | A | | | | | | | |
| | Gauge | G | | | | | | | |
| | Sealed Gauge | S | | | | | | | |
| Pressure Range | 1 bar | 1000 | | | | | | | |
| | 5 bar | 5000 | | | | | | | |
| | 10 bar | 1002 | | | | | | | |
| | 15 bar | 1502 | | | | | | | |
| | 20 bar | 2002 | | | | | | | |
| | 35 bar | 3502 | | | | | | | |
| | 50 bar | 5002 | | | | | | | |
| | 100 bar | 1003 | | | | | | | |
| | 200 bar | 2003 | | | | | | | |
| | 400 bar | 4003 | | | | | | | |
| Supply Voltage | 5V ratiometric | 4 | | | | | | | |
| | 8-16V | 5 | | | | | | | |
| Accuracy (CNLH) | ±0.25% of Full Scale | A | | | | | | | |
| Accuracy (Thermal Zero Shift) | <±0.02% / Span / °C | 2 | | | | | | | |
| | <±0.01% / Span / °C | 1 | | | | | | | |
| Electrical Connection | 26AWG, 55spec wire+DR25 sleeve | A | | | | | | | |
| Process Connection | 3/8" 24 UNF Dash-3 | A | | | | | | | |
| | 1/8" NPT Male | B | | | | | | | |
| | M8 x 1 Male | F | | | | | | | |
| | M10 x 1 Male | D | | | | | | | |
| O-Ring Material | Viton | V | | | | | | | |
| | EPDM | E | | | | | | | |
| Cable Length | 50 cm | | | | | | 050 | | |
| Special Codes | None | | | | | | | 000 | |

Sense Measure Control

Sensors for

- Temperature
- Acceleration
- Pressure
- Position
- Torque
- Speed
- Angle
- Force

Services for

- Data Logging
- Telemetry
- Controls
- Wiring
- Design

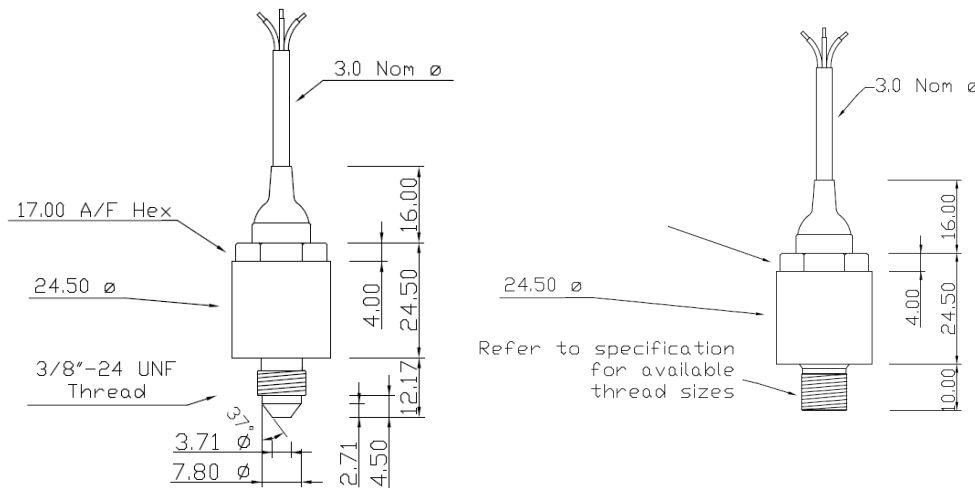
KA Sensors are

- Engineering led
- Confidential
- Experienced
- Responsive
- Dynamic
- Friendly

The KA configuration tool is used to specify a standard KA Sensor, other options are available.

MECHANICAL DETAILS

Dimensions in mm



CONNECTION DETAILS

| +Ve Supply | 0V Supply | Signal |
|------------|-----------|--------|
| Red | Blue | Yellow |

KAlibrated solutions for motorsport

kasensors.com