

ASN SERIES NANO PRESSURE TRANSDUCER

The ASN Series of high performance sub miniature pressure transducers have been designed for demanding installations on motorsport and automotive applications.

These are ideal for high precision data acquisition or control systems. The transducers can be installed directly onto vehicles or as part of a test stand or dyno.

The transducers offer a high level of reliability and endurance, they are protected against the high vibration, shock and high temperatures found in motorsport. The small dimensions allows for installation in tight spaces.

The modular construction and programmable amplifier provide a fast delivery time for standard and custom configurations. Pressure ranges are available between 2 bar to 220 bar sealed gauge reference.

Industry standard 3-wire electrical connections allow configuration with most common ECU's and data logging systems.

For OEM applications we have many options available to customise these transducers.

TECHNICAL SPECIFICATIONS

Pressure Datum	Sealed gauge
Standard Pressure Ranges (Bar)	2, 5, 10, 15, 20, 35, 50, 100, 200 and 220
Safe Over Range	250% of range
Burst Pressure	>500% of range
Accuracy	±0.7% FS combined linearity & hysteresis (CNLH)
Thermal Effects	Zero ±0.02% FS/°C (Sensitivity ±0.02% of reading /°C)
Output	0.5V to 4.5V
Supply	5V (±0.5V) ratiometric or 8-16Vdc
Operating Temperature Range	-55°C to +150°C
Compensated Temperature Range	0°C to +125°C
Construction	Stainless steel (S17-4ph)
Electrical Connection	50 cm 26AWG, 55spec wire + DR25 sleeve
Process Connection (Thread Size)	M5 x 0.8 & M6 x 1
Protection Class	IP67
EMC Protection & Vibration	EN 50082-1 and Mil-Std-810C, curve L, 20G
Weight	18g (including cable)
Options	Cable length, connector fitted, thread size and labelling

KA Sensors adopts a continuous development program which sometimes necessitates specification changes without notice

**Sense
Measure
Control**

Features

- *Sub Miniature Size*
- *2 to 220 Bar Range*
- *Rugged Construction*
- *Amplified Output*
- *±0.7% Accuracy*

Applications

- *Coolant*
- *Brakes*
- *Water*
- *Boost*
- *Fuel*
- *Oil*

Contact us

KA Sensors Ltd
Unit 14 & 15
The Old Malthouse
Springfield Road
Grantham
Lincolnshire
United Kingdom
NG31 7BG

sales@kasensors.com
+44(0)1476 568057

KAlibrated solutions for motorsport

kasensors.com

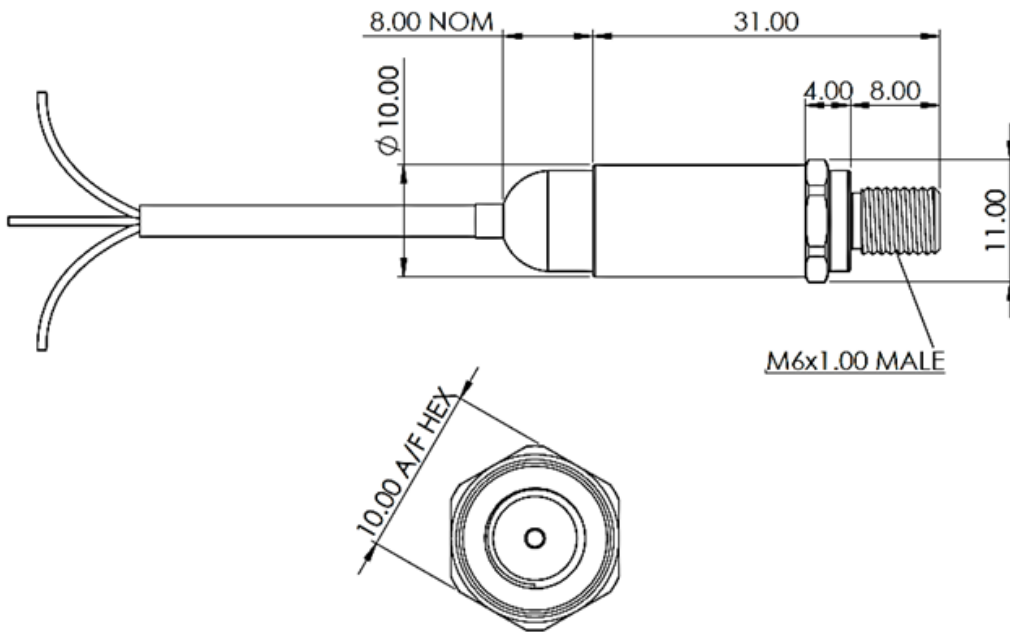
KAfigurator

ASN S 2002 4 A 2 A G 050 000

Pressure Datum	Sealed Gauge	S					
Pressure Range	2 bar	2000					
	5 bar	5000					
	10 bar	1002					
	15 bar	1502					
	20 bar	2002					
	35 bar	3502					
	50 bar	5002					
	100 bar	1003					
200 bar	2003						
220 bar	2203						
Supply Voltage	5V ratiometric		4				
Accuracy (CNLH)	±0.7% of Full Scale			A			
Accuracy (Thermal Zero Shift)	<±0.02% /Span /°C				2		
Electrical Connection	26AWG, 55spec wire+DR25 sleeve					A	
Process Connection	M5 x 0.8						P
	M6 x 1 Male						G
Cable Length	50 cm						050
Special Codes	None						000

The KA configuration tool is used to specify a standard KA Sensor, other options are available.

MECHANICAL DETAILS



CONNECTION DETAILS

+Ve Supply	0V Supply	Signal
Red	Black	White

**Sense
Measure
Control**

Sensors for

- Temperature
- Acceleration
- Pressure
- Position
- Torque
- Speed
- Angle
- Force

Services for

- Data Logging
- Telemetry
- Controls
- Wiring
- Design

KA Sensors are

- Engineering led
- Confidential
- Experienced
- Responsive
- Dynamic
- Friendly

KAlibrated solutions for motorsport

kasensors.com