

# ASMP SERIES STANDARD METRI-PACK PRESSURE TRANSDUCER

The ASMP standard series of high performance pressure transducers have been designed for the detection of fluid and air pressures in demanding motorsport and automotive applications.

The modular construction and programmable amplifier provide a fast delivery time for standard and custom configurations.

Pressure ranges are available between 2 bar to 200 bar in either sealed gauge or absolute reference. Industry standard 3-wire electrical connections allow configuration with most common ECU's and data logging systems.

The ASMP Series are race proven and can be found in many race formula around the world.

For OEM applications we have many options available to customise these transducers.

## Sense Measure Control

### Features

- Built-in Connector
- Compact Design
- 2 to 200 Bar Range
- Rugged Construction
- ±0.5% Accuracy

### TECHNICAL SPECIFICATIONS

<b>Pressure Datum</b>	Sealed gauge and absolute
<b>Standard Pressure Ranges (Bar)</b>	2, 4, 5, 10, 20, 50, 100 and 200
<b>Safe Over Range</b>	150% of range
<b>Burst Pressure</b>	>300% of range
<b>Accuracy</b>	±0.5% FS combined linearity & hysteresis (CNLH)
<b>Thermal Effects</b>	Zero ±0.04% FS/°C (Sensitivity ±0.04% of reading /°C)
<b>Output</b>	0.5V to 4.5V
<b>Supply</b>	5V (±0.5V) ratiometric or 8-16Vdc
<b>Operating Temperature Range</b>	-20°C to +135°C
<b>Compensated Temperature Range</b>	0°C to +125°C
<b>Construction</b>	Stainless steel, alumina, Viton & EPDM
<b>Electrical Connection</b>	Metri-Pack (Packard) 3 pin 150 series Connector
<b>Process Connection (Thread Size)</b>	3/8" 24 UNF (-3), 1/2" NPT male and M10 x 1
<b>Protection Class</b>	IP67
<b>EMC Protection &amp; Vibration</b>	EN 50082-1 and Mil-Std-810C, curve L, 20G
<b>Weight</b>	68g
<b>Options</b>	Cable assembly, thread size and labelling

### Applications

- Coolant
- Brakes
- Water
- Boost
- Fuel
- Oil

### Contact us

KA Sensors Ltd  
Unit 14 & 15  
The Old Malthouse  
Springfield Road  
Grantham  
Lincolnshire  
United Kingdom  
NG31 7BG

sales@kasensors.com  
+44(0)1476 568057

KA Sensors adopts a continuous development program which sometimes necessitates specification changes without notice

**KA**librated solutions for motorsport

kasensors.com

# KAfigurator

ASMP S 4000 4 A 2 A B E 000

<b>Pressure Datum</b>	Absolute	A						
	Sealed Gauge	S						
<b>Pressure Range</b>	2 bar	2000						
	4 bar	4000						
	5 bar	5000						
	10 bar	1002						
	20 bar	2002						
	50 bar	5002						
	100 bar	1003						
	200 bar	2003						
<b>Supply Voltage</b>	5V ratiometric		4					
	8-16V		5					
<b>Accuracy (CNLH)</b>	±0.5% of Full Scale			A				
<b>Accuracy (Thermal Zero Shift)</b>	<±0.04% /Span /°C				2			
<b>Electrical Connection</b>	Metri-Pack 150 Series Conn.					A		
<b>Process Connection</b>	3/8" 24 UNF Dash-3						A	
	1/8" NPT Male						B	
	M10 x 1 Male						D	
<b>O-Ring Material</b>	Viton						V	
	EPDM							E
<b>Special Codes</b>	None							000

**Sense  
Measure  
Control**

## Sensors for

- Temperature
- Acceleration
- Pressure
- Position
- Torque
- Speed
- Angle
- Force

## Services for

- Data Logging
- Telemetry
- Controls
- Wiring
- Design

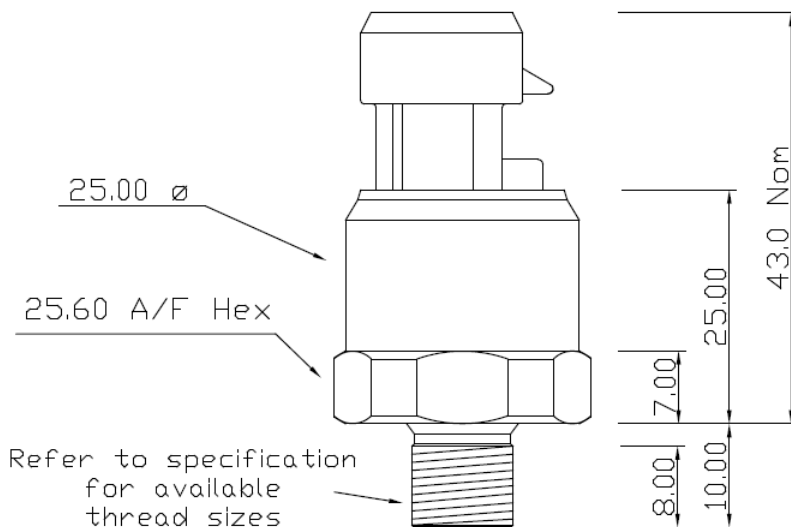
## KA Sensors are

- Engineering led
- Confidential
- Experienced
- Responsive
- Dynamic
- Friendly

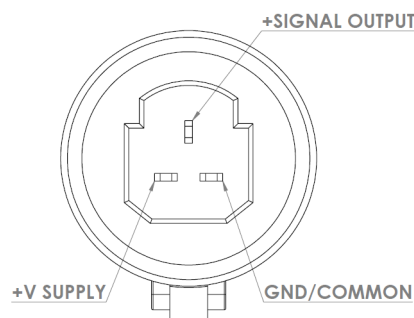
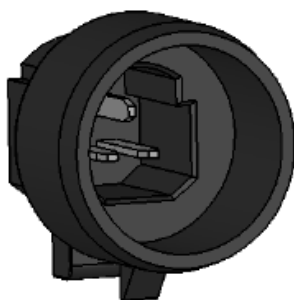
The KA configuration tool is used to specify a standard KA Sensor, other options are available.

## MECHANICAL DETAILS

Dimensions in mm



## CONNECTION DETAILS



**KA**librated solutions for motorsport

kasensors.com