

ASLF SERIES BAROMETRIC/MAP PRESSURE SENSOR

The ASLF Series of cost effective high performance pressure transducers have been designed for Barometric and MAP pressures in demanding motorsport and automotive applications. These are ideal for high precision data acquisition or control systems. The transducers can be installed directly onto vehicles or as part of a test stand or dyno.

The transducers offer a high level of reliability and endurance, they are protected against the high vibration, shock and high temperatures found in motorsport. By using a sealed sensing element, these sensors are compatible with fluids and gases found in most race applications.

The modular construction and programmable amplifier provide a fast delivery time for standard and custom configurations. Pressure ranges are available between 1 bar to 2 bar absolute. Industry standard 3-wire electrical connections allow configuration with most common ECU's and data logging systems.

The ASLF Series are race proven and can be found in many race series around the world. For OEM applications we have many options available to customize these transducers.

TECHNICAL SPECIFICATIONS

Pressure Datum	Absolute
Standard Pressure Ranges (Bar)	1.2 and 2
Safe Over Range	150% of range
Burst Pressure	>300% of range
Accuracy	±0.5% FS combined linearity & hysteresis (CNLH)
Thermal Effects	Zero ±0.01% FS/°C (Sensitivity ±0.01% of reading /°C)
Output	0.5V to 4.5V
Supply	5V (±0.5V) ratiometric or 8-16Vdc
Operating Temperature Range	-20°C to +135°C
Compensated Temperature Range	0°C to +120°C
Construction	Black anodised aluminium, alumina & Viton
Electrical Connection	50cm, 26AWG FEP insulated screened cable
Process Connection	Flange (Viton O ring Supplied)
Protection Class	IP67
EMC Protection & Vibration	EN 50082-1 and Mil-Std-810C, curve L, 20G
Weight	50g (Including cable)
Options	Cable length, connector fitted and labelling

KA Sensors adopts a continuous development program which sometimes necessitates specification changes without notice

Sense Measure Control

Features

- *Lightweight*
- *Flange Mounted*
- *1 to 2 Bar Range*
- *Rugged Construction*
- *Amplified Output*
- *±0.5% Accuracy*

Applications

- *Barometric*
- *MAP*
- *Boost*
- *Aerodynamics*

Contact us

KA Sensors Ltd
Unit 14 & 15
The Old Malthouse
Springfield Road
Grantham
Lincolnshire
United Kingdom
NG31 7BG

sales@kasensors.com
+44(0)1476 568057

KAlibrated solutions for motorsport

kasensors.com

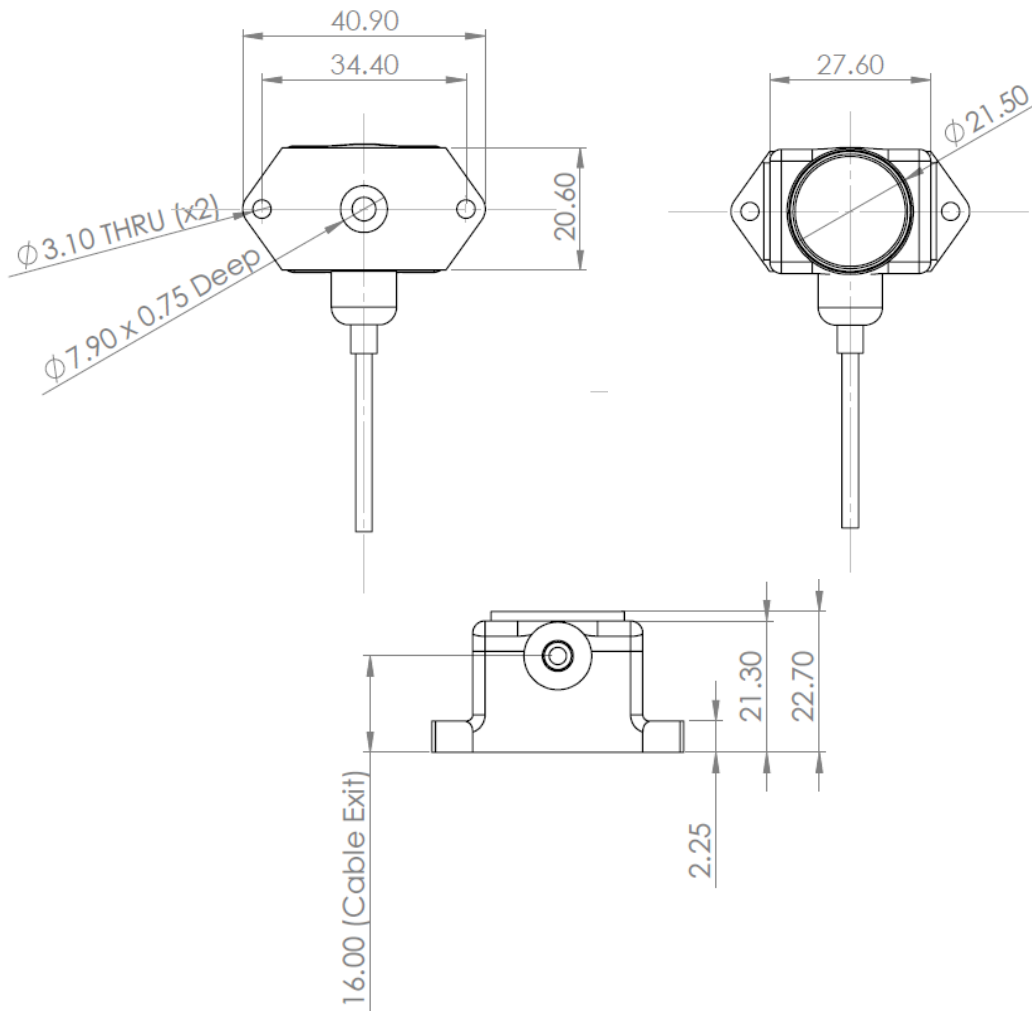
KAfigurator

ASLF A 1200 5 A 2 A R V 050

Pressure Datum	Absolute	A						
Pressure Range	1.2 bar	1200						
	2 bar	2000						
Supply Voltage	5V ratiometric		4					
	8-16V		5					
Accuracy (CNLH)	±0.5% of Full Scale			A				
Accuracy (Thermal Zero Shift)	<±0.01% /Span /°C				2			
Electrical Connection	26AWG 55spec cable + DR25 Sleeve					A		
Process Connection	Flange						R	
O-Ring Material	Viton							V
Cable Length	50 cm							050
Special Codes	None							

The KA configuration tool is used to specify a standard KA Sensor, other options are available.

MECHANICAL DETAILS



CONNECTION DETAILS

+Ve Supply	0V Supply	Signal
Red	Blue	Yellow

**Sense
Measure
Control**

Sensors for

- Temperature
- Acceleration
- Pressure
- Position
- Torque
- Speed
- Angle
- Force

Services for

- Data Logging
- Telemetry
- Controls
- Wiring
- Design

KA Sensors are

- Engineering led
- Confidential
- Experienced
- Responsive
- Dynamic
- Friendly

KAlibrated solutions for motorsport

kasensors.com