

ASHT HIGH PERFORMANCE PRESSURE AND TEMPERATURE TRANSDUCER

The ASHT Series feature both pressure and temperature sensors within a single transducer package. This high accuracy transducer has been designed for use in demanding motorsport and automotive testing industries.

These are ideal for high precision data acquisition or control systems. The transducers can be installed directly onto vehicles or as part of a test stand or dyno. The transducers offer a high level of reliability and endurance, they are protected against the high vibration, shock and high temperatures found in motorsport. Continuous operation up to 150°C allows for installation in hot zones.

The modular construction and programmable amplifier provide a fast delivery time for standard and custom configurations. Pressure ranges are available between 5 bar to 200 bar sealed gauge reference.

Industry standard 3-wire electrical connections for the pressure and 2-wire for the temperature allow configuration with most common ECU's and data logging systems.

The ASHT Series are race proven and can be found in many race formula around the world. For OEM applications we have many options available to customise these transducers.

TECHNICAL SPECIFICATIONS

Pressure Datum	Sealed gauge
Standard Pressure Ranges (Bar)	5, 10, 20, 50, 100 and 200
Safe Over Range	150% of range
Burst Pressure	>300% of range
Accuracy	±0.2% FS combined linearity & hysteresis (CNLH)
Thermal Effects	Zero ±0.01% FS/°C (Sensitivity ±0.01% of reading /°C)
Outputs	Pressure: 0.5V to 4.5V Temperature: 2 wire PT1000
Supply	5V (±0.5V) ratiometric or 8-16Vdc
Operating Temperature Range	-20°C to +150°C
Compensated Temperature Range	0°C to +150°C
Construction	Stainless steel
Electrical Connection	50 cm 26AWG, 55spec wire + DR25 sleeve
Process Connection (Thread Size)	3/8" 24 UNF (No cone), M10 x 1
Protection Class	IP67
EMC Protection & Vibration	EN 50082-1 and Mil-Std-810C, curve L, 20G
Weight	54g (Including cable)
Options	Cable length, connector fitted, thread size and labelling

KA Sensors adopts a continuous development program which sometimes necessitates specification changes without notice

Sense Measure Control

Features

- *Built-in Temp. Sensor*
- *Rugged Construction*
- *5 to 200 Bar Range*
- *150°C Operation*
- *Amplified Output*
- *±0.2% Accuracy*

Applications

- *Coolant*
- *Brakes*
- *Water*
- *Boost*
- *Fuel*
- *Oil*

Contact us

KA Sensors Ltd
Unit 14 & 15
The Old Malthouse
Springfield Road
Grantham
Lincolnshire
United Kingdom
NG31 7BG

sales@kasensors.com
+44(0)1476 568057

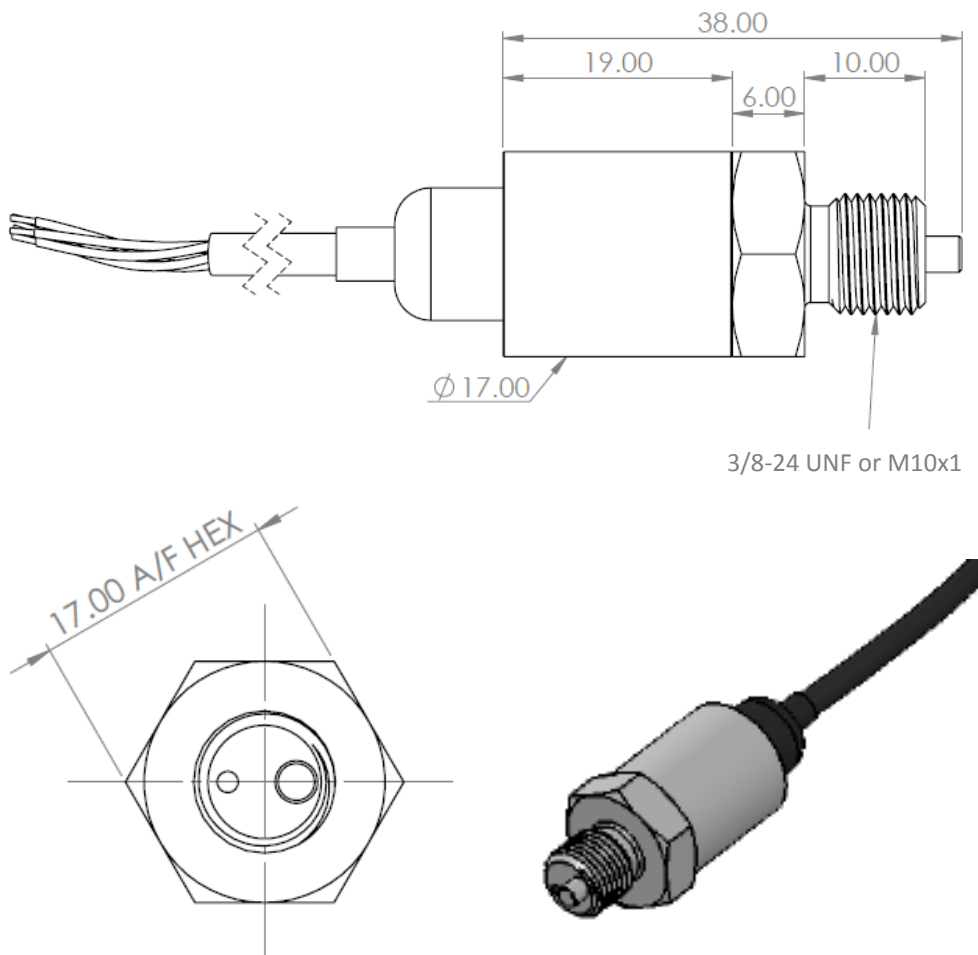
KA calibrated solutions for motorsport

kasensors.com

KAfigurator		ASHT	S	1002	5	A	1	A	D	H	50	000
Pressure Datum	Sealed Gauge		S									
Pressure Range	5 bar		5000									
	10 bar		1002									
	20 bar		2002									
	50 bar		5002									
	100 bar		1003									
	200 bar		2003									
Supply Voltage	5V ratiometric		4									
	8-16V		5									
Accuracy (CNLH)	+/-0.2% of Full Scale		A									
Accuracy (Thermal Zero Shift)	<+/-0.01% /Span/C (<+/-0.006%/Span/F)		1									
Electrical Connection	26AWG, 55spec wire +DR25 sleeve							A				
Process Connection	3/8 inch 24 UNF (No cone)								J			
	M10 x 1 Male								D			
Temperature Sensor Type	PT 1000 2 wire									H		
Cable Length	50 cm										050	
Special Codes	None											000

The KA configuration tool is used to specify a standard KA Sensor, other options are available.

MECHANICAL DETAILS



Sensors for

- Temperature
- Acceleration
- Pressure
- Position
- Torque
- Speed
- Angle
- Force

Services for

- Data Logging
- Telemetry
- Controls
- Wiring
- Design

KA Sensors are

- Engineering led
- Confidential
- Experienced
- Responsive
- Dynamic
- Friendly

CONNECTION DETAILS

+Ve Supply	0V Supply	Output (P)	Output (T)	Output (T)
Red	Black	White	Blue	Green

KAlibrated solutions for motorsport

kasensors.com